

### Specification:

Contact Resistance: 30m Ohm Max.

Insulation Resistance: 1000M Ohm Min. At 500VDC.

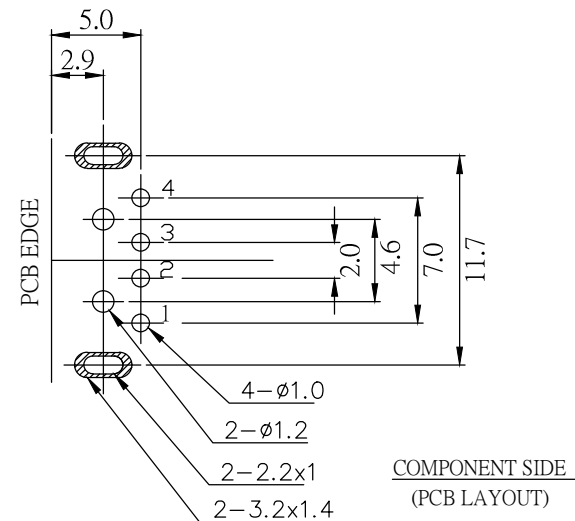
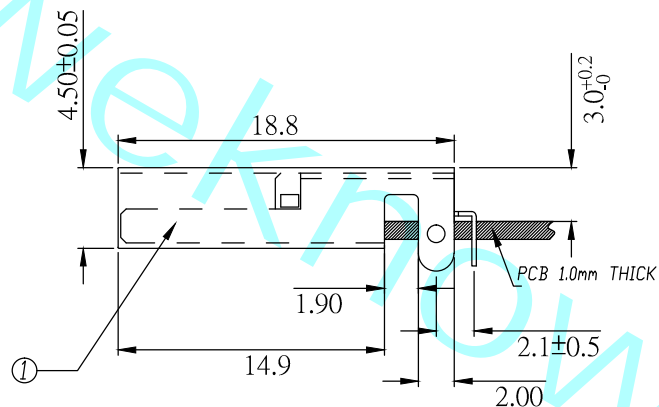
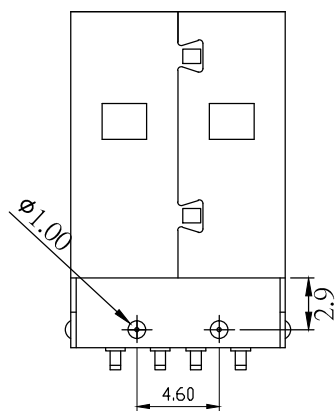
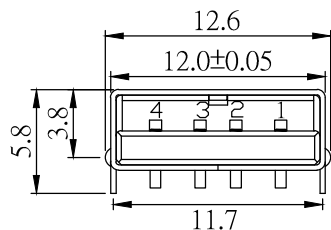
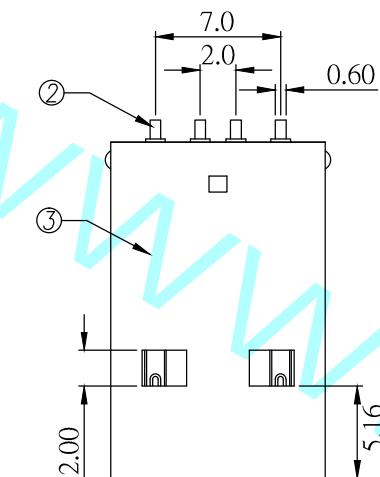
Rated Voltage And Current: 1.5A At 250VAC Minimum.

Dielectric Withstanding Voltage: 750V AC (rms) for 1 Minute(Rev. 1.1)

Durability (Life Test): 1500 Cycles

Insertion Force: 35 Newton Maximum.

Extraction Force: 10 Newton Minimum.



NO.	NAME	MATERIAL	FINISH	Q'TY	REMARK
1	HOUSING	NYLON PA9T G.F.	BLACK	1	
2	TERMINAL	BRASS E-H T:0.25	GOLD/TIN PLATED	4	Gold:1~3u"; NI:40~60u"; TIN:120u" (100% pure Tin of lead free plating)
3	SHELL	BRASS T:0.3	NICKEL PLATED	1	Ni:80~120u"



京準科技股份有限公司  
WE KNOW TECHNOLOGY CO., LTD.

A1		模具毀損更新(原JF0005)、圖面更新、 料號變更(原:JUB-US04M30X)	2016.08.18	公差UNLESS OTHERWISE SPECIFIED TOLERANCES ARE .X ±0.38 .XX ±0.25 .XXX ±0.13 XXX ±0.05	品名(Title): <b>USB A TYPE (M) PLUG PCB FLAT 4 PIN DIP ( 90°)</b>
A0		NEW DRAWING	2015.07.02		料號/Part No: <b>JUB-KS001MDANBL</b>
REV		概述/REVISION	日期/DATE		圖號/Drawing No: <b>KS-001MD-ANB-L</b>
核准/APPD	審核/CHKD.	製圖/DR.	比例/Scale	Size	張數/Sheet
David	Joe	MIA	Free	A4	1 of 1
					單位/Unit
					mm
					REV.
					A1