

## D-Sub-Connector DIP solder straight height :12.7mm

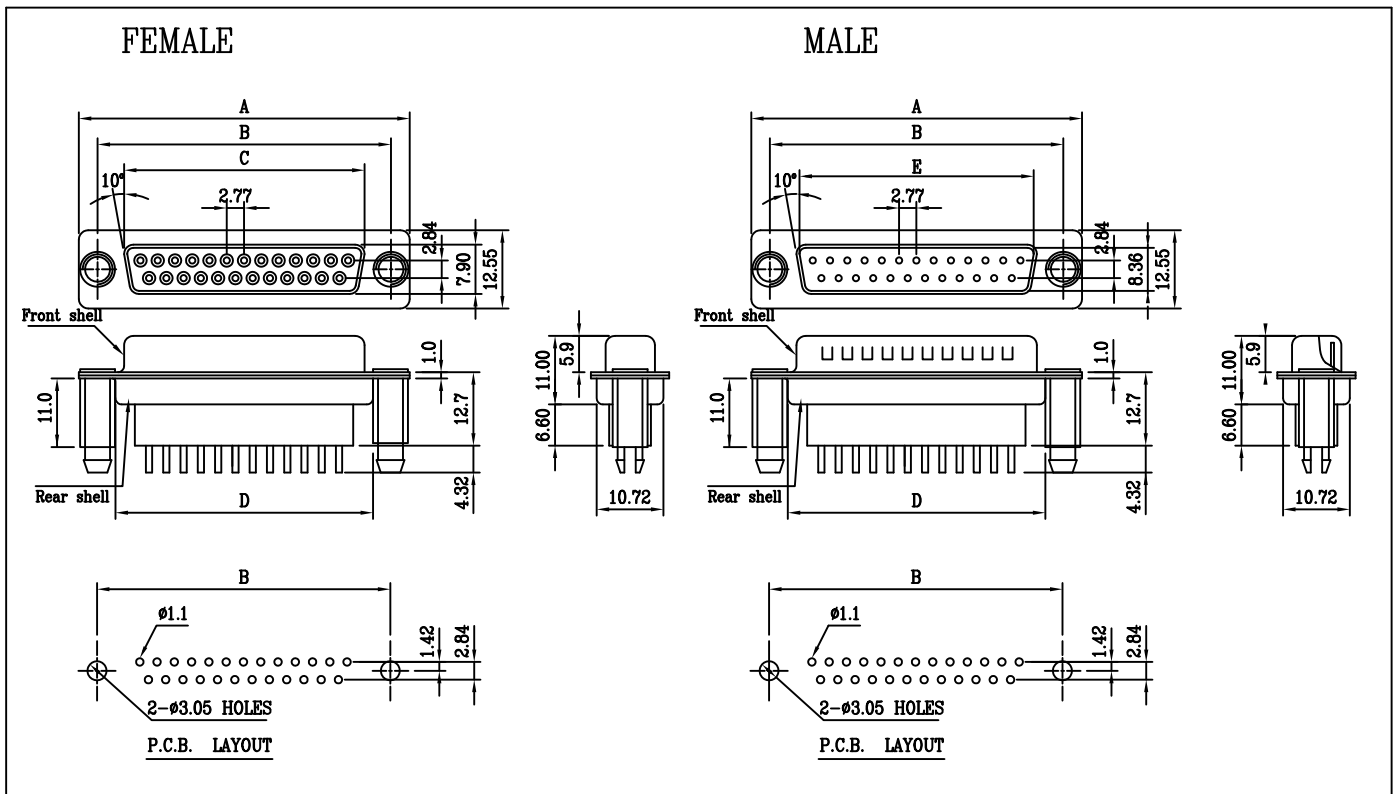
### Technical data :

#### Material and finish :

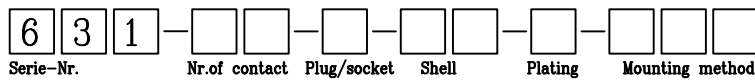
Shell steel, tin plating or nickel plating  
 Insulator Thermoplastic polyester  
 self-extinguishing rated 94V-0

Contact Cooper alloy  
 Contact surface gold plated over nickel  
 Operating Temperature -55°C to +105°C

Electrical data :  
 Current rating : 5A  
 Contact resistance 30Mohm Max. at DC 100MA  
 Insulator resistance 1000Mohm Min. at DC 500V  
 Voltage AC 1000V for 1minute



### How to order



Nr. of contact	code
9	09
15	15
25	25
37	37

Terminal type	Code
Plug	1
Socket	2

Shell plating		Code
Front shell	Rear shell	
Ni plating	Tin plating	30
Ni plating	Ni plating	40

Mounting method	Code
Standard through hole ø 3.05mm	B00
Riveted with UNC 4-40 thread insert 4.0mm Top shell	B01
Riveted with UNC 4-40 thread insert 4.0mm Bottom shell	B02
Riveted with UNC 4-40 thread insert 5.8mm Top shell	B03
Riveted with UNC 4-40 thread insert 5.8mm Bottom shell	B04
Riveted with UNC 4-40 thread Board lock 6.0mm	B05
Riveted with UNC 4-40 thread Board lock 7.3mm	B06
Riveted with UNC 4-40 thread Board lock 11.0mm	B07
Riveted with UNC 4-40 thread Board lock 12.7mm	B08

Dimensions(mm)					
Position	A	B	C	D	E
9	±0.38	±0.13	±0.13	±0.13	±0.13
15	30.81	24.99	16.33	19.28	16.92
25	53.04	47.04	38.38	41.30	38.96
37	69.32	63.50	54.84	57.71	55.42

Plating Option	Code
Full gold Flash plating	10
Selective gold flash plating	60
5u" selective gold plating	05
15u" selective gold plating	15
30u" selective gold plating	30

Please refer page 24-25 for mounting option