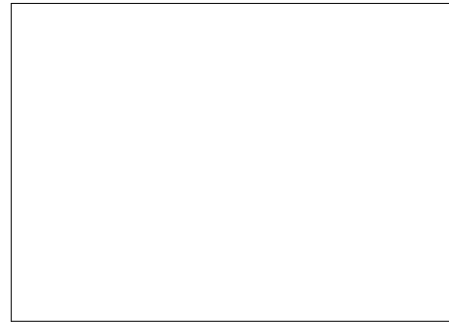


# 606

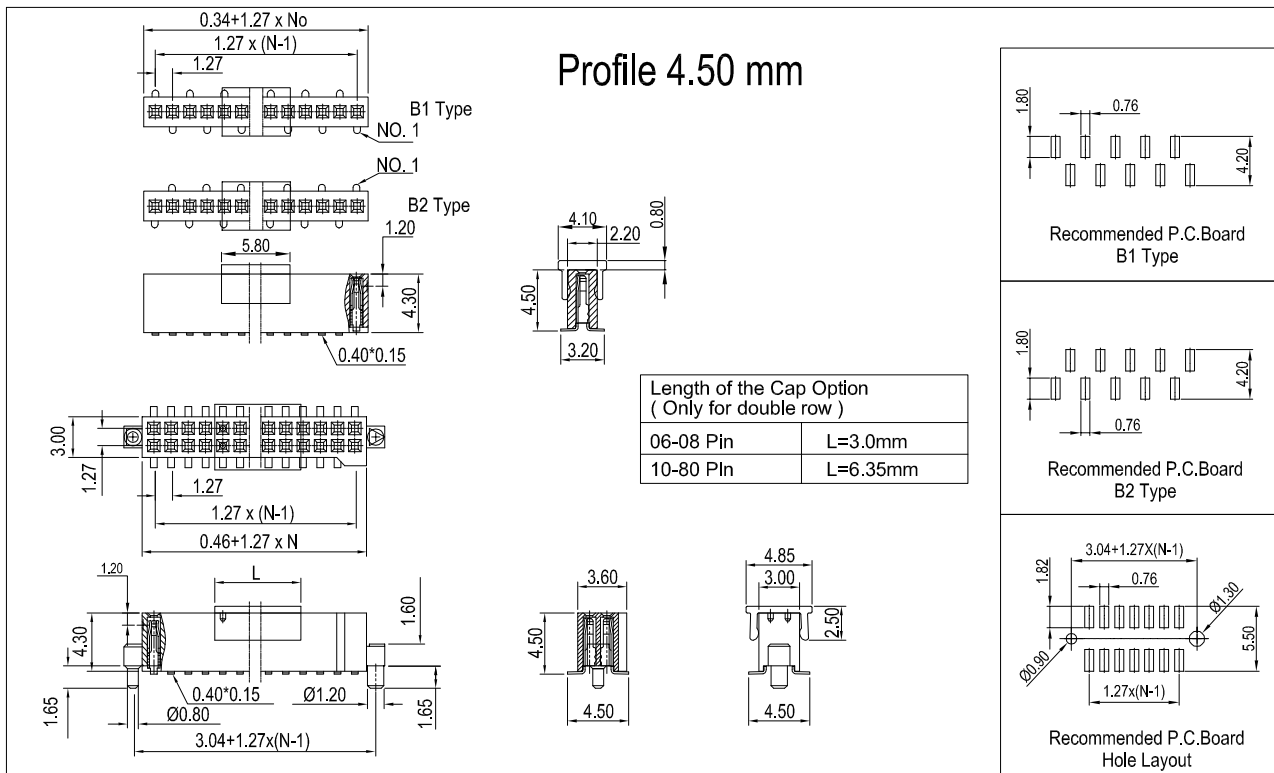
## Female Header 1.27mm Pitch SMT Type For square pin

### Technical Data :

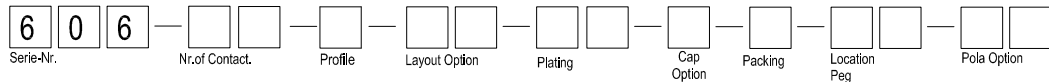
Insulator Material:	High Temperature Thermoplastic,UL 94V-0
Contact :	stamped and formed,Phosphor Bronze
Plating:	Au or Sn over Nickel
Current Rating :	1 Amp
Contact resistance:	20 milliohms Max.
Insulator resistance :	500 Megohms min.
Dielectric withstanding :	AC 500V for 1 Minute.
Operating Temperature:	-40°C to +105°C.
Max. processing Temp:	230°C for 30-60 seconds. 260°C for 10 seconds.
Mates with :	Pitch 1.27mm, 0.4mm male header



### RoHS Compliant



### How to order



Number of contact	Code
Double Row Max. 80	06-80
single row max. 36	03-36
Profile	Code
Profile H=4.5	2
Layout option	Code
B1 single	11
B2 single	12
Double row	20

Plating option	Code
Gold plated	10
Tin plated	50
Selective gold flash plated	60
10u"Selective gold plated	610
15u"Selective gold plated	615
20u"Selective gold plated	620
30u"Selective gold plated	630

Pick & Place Pad	Code
W/ Cap	1
W/O Cap	2
Packing Option	Code
Tube	1
Tape & Reel	2

Location Peg	Code
W/ Location peg	10
W/O Location peg	00
For Double row only	

pola Option	Code
W/ pola key	1
W/O pola key	0
For Double row only	

**W. E.**

WEITRONIC ENTERPRISE CO.,LTD. Web.site: [www.weitronictw.com.tw](http://www.weitronictw.com.tw) E-mail:[info@weitronictw.com.tw](mailto:info@weitronictw.com.tw)