

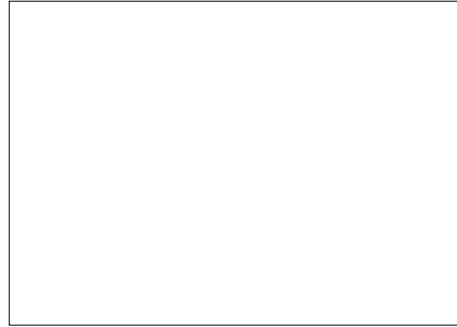
596-DB

Pin header strips 1.0mm pitch Dual body Dip & SMT Type

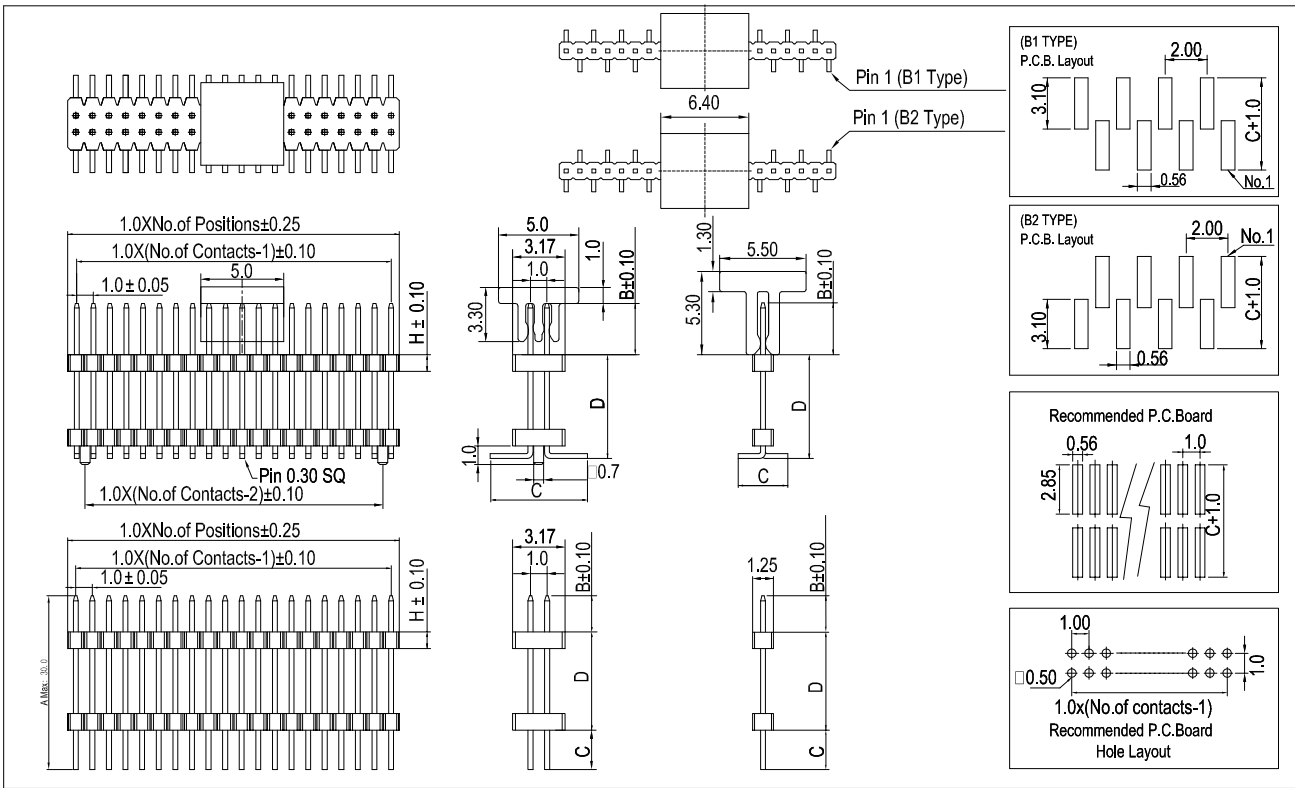
Technical Data :

Insulator Material: High Temperature Thermoplastic, UL 94V-0.
 Contact : 0.30x0.30mm
 Contact Material: copper alloy
 Plating: Au or Sn over Nickel
 Current Rating : 1 Amp
 Insulator resistance : 500 Megohms min
 Dielectric withstanding : AC 500V for 1 Minute
 Operating Temperature: -40°C to +105°C.
 Max. processing Temp: 230°C for 30-60 seconds.
 260°C for 10 seconds.

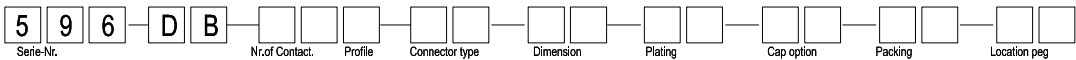
Mates with : 597



RoHS Compliant



How to order



Nr. of Contact	Code
Single 01-50 pin	01-50
Double 02-100 pin	02-100

Profile Option	Code
H=1.0 Single Row Dip Type	1
H=1.0 Single Row SMT B1 Type	
H=1.0 Single Row SMT B2 Type	4
H=1.0 Double Row	2
H=1.5 Double Row	3

Connector type	Code
Dip type	10
SMT type	11

Terminal Code	Dimension		
	B	C	D
XX/XX/XX	As request		
For EG. B=7.0 C=7.8 D=6.5			
Code Nr.=7.0/7.8/6.5			

Pick & Place Pad	Code
W/ Cap	1
W/O Cap	2
For SMT Type Only	

Plating option	Code
Full gold flash plated	10
Tin plated	50
Selective gold flash plated	60
10u"Selective gold plated	610
15u"Selective gold plated	615
20u"Selective gold plated	620
30u"Selective gold plated	630

Packing Option	Code
Tube	1
Tape & Reel	2
Tray	3
Bag	4

Location peg Option	Code
W/ Location peg	10
W/O Location peg	00
For double row only. W/Location peg option for 2 x Even Pin For Eg. 2x2, 2x4,.....2x48, 2x50	

W.E.