

532A

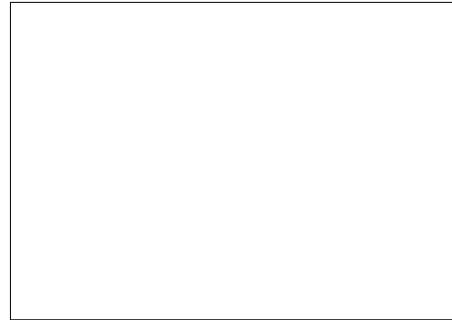
Power Headers 3.96mm pitch, Ringht Angle Type

Technical Data :

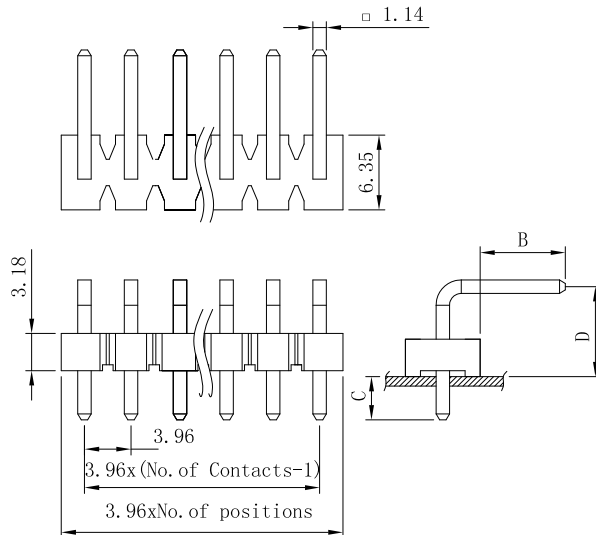
Insulator Material: Thermoplastic, UL 94V-0
 Contact : 1.14x1.14mm
 Contact Material: copper alloy
 Plating: Tin plated over nickle,Lead free
 Current Rating : 8.2 Amp 30°C Temperature Rise
 Insulator resistance : 1000 Megohms min.
 Dielectric withstanding : AC 500V for 1 Minute
 Operating Temperature: -40°C to +105°C.
 Max. processing Temp: 230°C for 30-60 seconds.
 260°C for 10 seconds.

Mates with : Pitch 3.96mm, □1.14mm male header

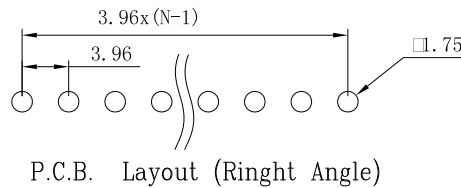
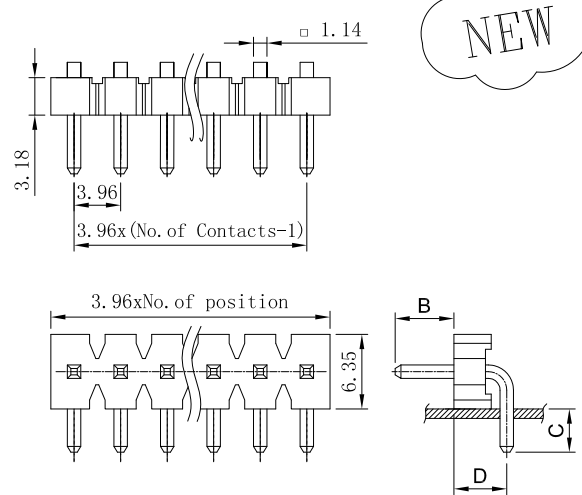
RoHS Compliant



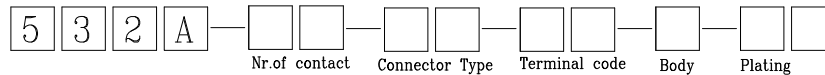
Ringht Angle A type



Ringht Angle B type



How to order



Serie-Nr.

Nr. of contact	Code
1-Single max.24 poles	02~24
Connector Type	Code
Ringht Angle A type	20
Ringht Angle B type	21

Terminal code	Dimensions(mm)		
	B	C	D
10	11.43	3.81	6.29
20	12.70	3.81	7.56
xxx	as request		
For Eg. B=4.6 C=6.0 D=3.9			
CODE Nr=4.60/6.0/3.9			

Body	Code	Plating option	Code
Single Body	1	Full gold flash plated	10
		Tin plated	50

W.E.