

300

D-Sub-Connector With Wire Machined Contact

Technical data :

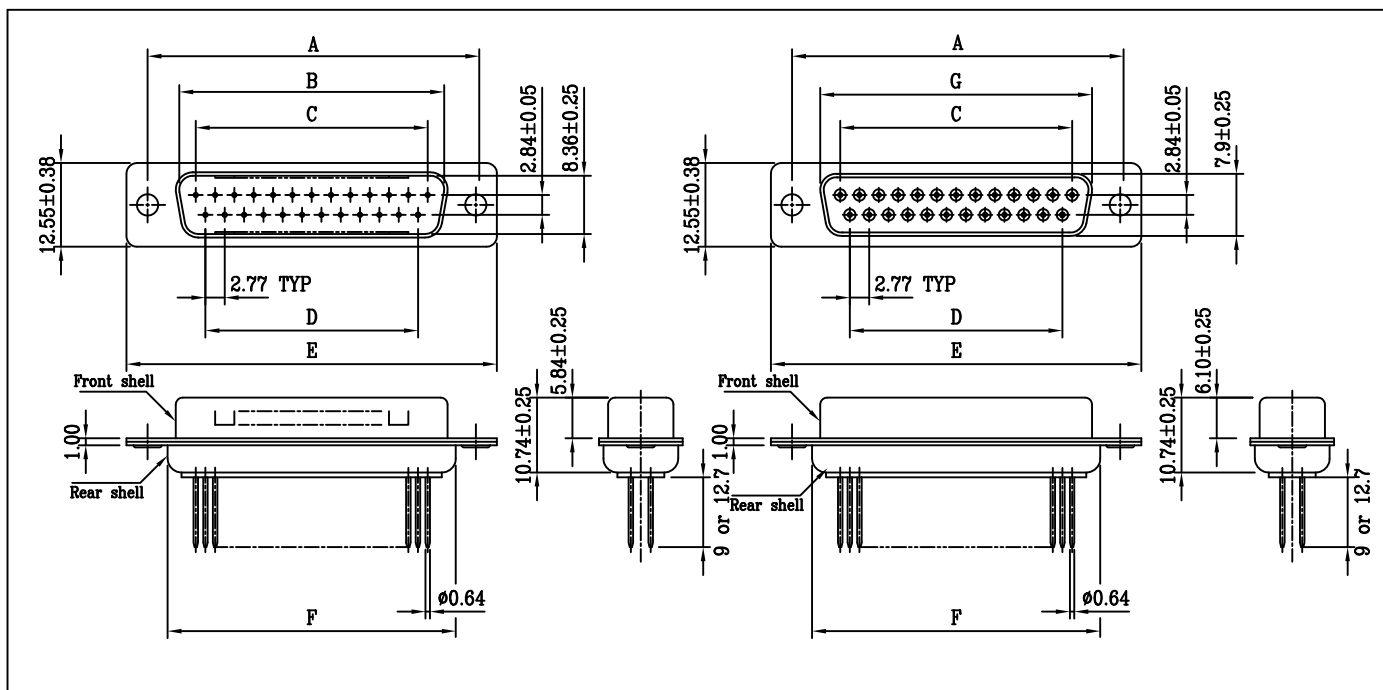
- * Precision machined contacts from copper alloy
- * Available 3Level (2 level on request)

Material and finish:

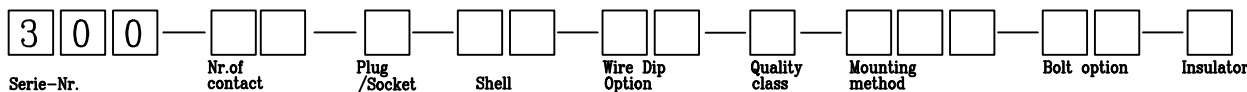
Shell	steel, tin plating or nickel plating
Insulator	Thermoplastic polyester
Burning properties	Self extinguishing rated UL94V0
Contact	Copper alloy
Contact surface	Gold plated over nickel
Operating temperature	-55°C to+105°C

Electrical data :

Current rating	5 A
Working voltage	125V AC
Test voltage	1000V/50HZ
Contact resistance	<=3mOhm
Insulation resistance	>=10 ¹¹ Ohm
Mating cycles	Class 1=min.500cycles
	Class 2=min.400cycles
	Class 3=min.50cycles



How to order



Nr. of contact	Dimension						
	A	B	C	D	E	F	G
	±0.13	±0.25	±0.13	±0.13	±0.38	±0.25	±0.25
09	24.99	16.92	11.08	8.31	30.89	19.28	16.33
15	33.32	25.25	19.39	16.62	39.10	27.51	24.66
25	47.04	38.96	33.24	30.47	53.09	41.30	38.38
37	63.50	55.25	49.86	47.09	69.40	57.71	54.84

Terminal Type	Code
Plug	1
Socket	2

Shell plating		Code
Front shell	Rear shell	
Ni plating	Tin plating	30
Ni plating	Ni plating	40

Wire Dip Option	Code
Length 9.0mm	10
Length 12.7mm	20
As request	30

Quality class		Code
Class III		3
Class II		2
Class I		1

Mounting method	Code
Standard through hole ø3.05mm	B00
Riveted with UNC 4-40 thread insert 4.0mm Top shell	B01
Riveted with UNC 4-40 thread insert 4.0mm Bottom shell	B02
Riveted with UNC 4-40 thread insert 5.8mm Top shell	B03
Riveted with UNC 4-40 thread insert 5.8mm Bottom shell	B04
Riveted with UNC 4-40 thread Board lock 6.0mm	B05
Riveted with UNC 4-40 thread Board lock 7.3mm	B06
Riveted with UNC 4-40 thread insert 2.5mm on Top shell	B10
Riveted with UNC 4-40 thread insert 2.5mm on Bottom shell	B11
Riveted with UNC 4-40 thread insert 3.8mm on Top shell	B12
Riveted with UNC 4-40 thread insert 3.8mm on Bottom shell	B13

Hexagonal bolt Option	Code
Loose HEX.Screws 4.8x11.8	10
Fixed HEX.Screws 4.8x11.8	20
Loose HEX.Screws 4.8x11.8	30
Fixed HEX.Screws 5.8x12.0	40
NON-Accessories	50

Insulator color	Code
White	1
Black	2
Gray	3
Blue	4

Please refer page 24-25 for mounting option

W.E.