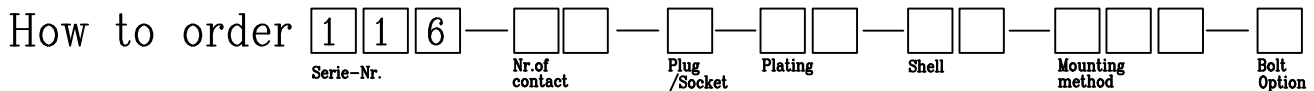
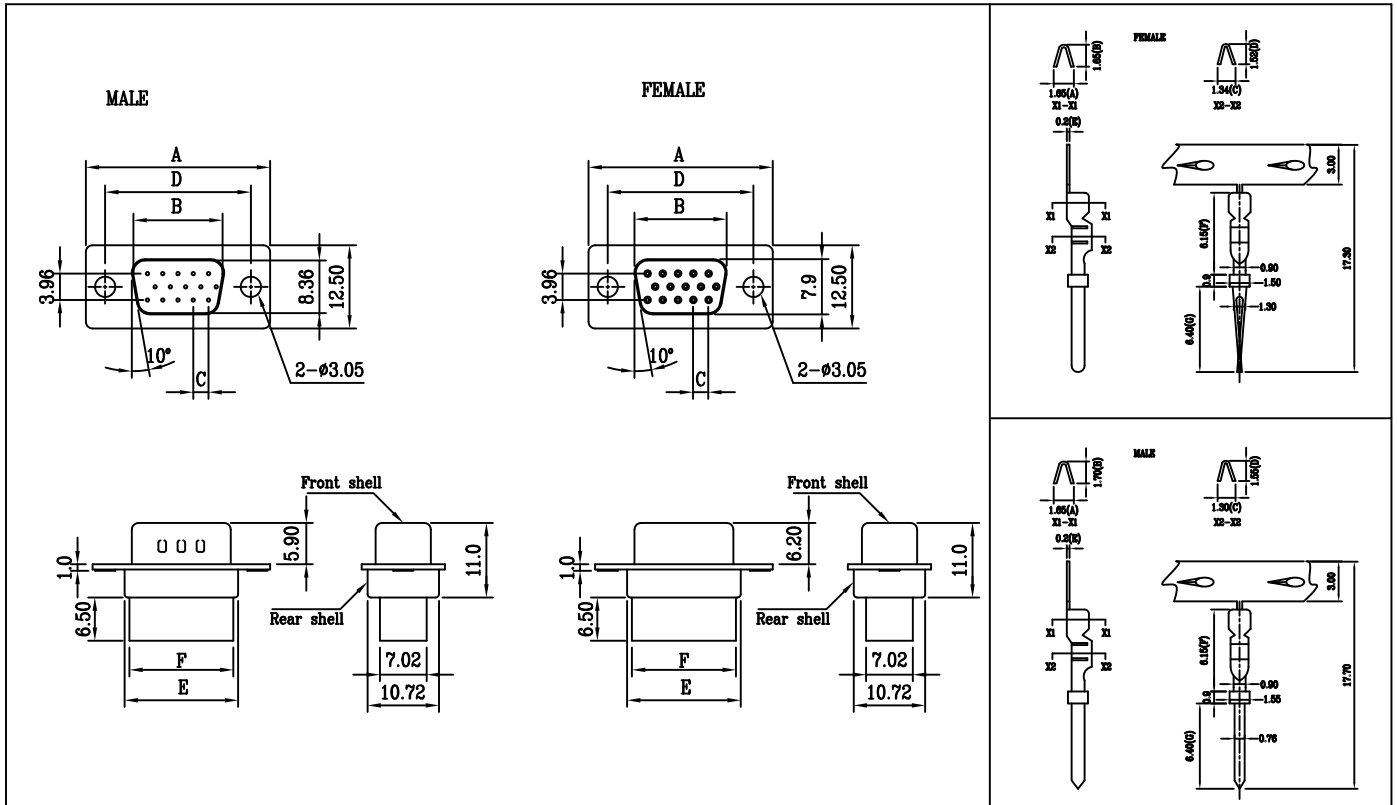
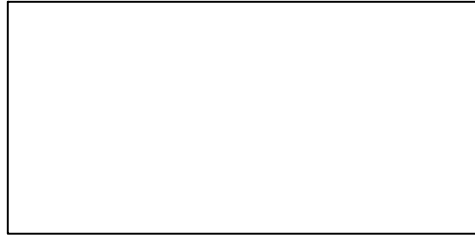


D-Sub-Connector

Technical data :

Contact Resistance: 10 m ohm max. at DC 100mA
 Insulator Resistance: 1000M ohm min at DC 500V
 Current Rating: 3 AMP
 Dielectric Withstanding
 Voltage: AC 1000V For 1 minute
 Operating Temperature -55°C to +105°C
 Contact: Brass or Phosphor Bronze
 Housing: PBT & 30% Glass Fiber (UL 94V-0)



| Nr. of contact | Dimension (FEMALE) | | | | | | | (MALE) |
|----------------|--------------------|-------|------|-------|-------|-------|-------|--------|
| | A | B | C | D | E | F | B | |
| 15 | 30.80 | 16.38 | 2.29 | 24.99 | 19.28 | 15.60 | 16.92 | |
| 26 | 39.10 | 24.66 | 2.29 | 33.32 | 27.50 | 23.90 | 25.50 | |
| 44 | 53.00 | 36.38 | 2.29 | 47.04 | 41.03 | 38.00 | 38.96 | |
| 62 | 69.30 | 54.84 | 2.41 | 63.50 | 57.30 | 54.10 | 55.42 | |

| Plating Option | Code |
|-----------------------------|------|
| Selective gold flash plated | 60 |
| 15u" Selective gold plated | 15 |
| 30u" Selective gold plated | 30 |

| Terminal Type | Code | Shell plating | | Code |
|---------------|------|---------------|-------------|------|
| Plug | 1 | Front shell | Rear shell | 30 |
| | | Ni plating | Tin plating | |
| Socket | 2 | Ni plating | Ni plating | 40 |

IF you require contact only Please Put xx in the bracket (Nr. of contact) & omit The code No. after plating option

| Mounting method | Code |
|---|------|
| Standard through hole Ø3.05mm | B00 |
| Riveted with UNC 4-40 thread insert 4.0mm Top shell | B01 |
| Riveted with UNC 4-40 thread insert 4.0mm Bottom shell | B02 |
| Riveted with UNC 4-40 thread insert 5.8mm Top shell | B03 |
| Riveted with UNC 4-40 thread insert 5.8mm Bottom shell | B04 |
| Riveted with UNC 4-40 thread Board lock 6.0mm | B05 |
| Riveted with UNC 4-40 thread Board lock 7.3mm | B06 |
| Riveted with UNC 4-40 thread insert 2.5mm on Top shell | B10 |
| Riveted with UNC 4-40 thread insert 2.5mm on Bottom shell | B11 |
| Riveted with UNC 4-40 thread insert 3.8mm on Top shell | B12 |
| Riveted with UNC 4-40 thread insert 3.8mm on Bottom shell | B13 |

| Hexagonal bolt Option | Code |
|---------------------------|------|
| Loose HEX.Screws 4.8x11.8 | 10 |
| Fixed HEX.Screws 4.8x11.8 | 20 |
| Loose HEX.Screws 5.8x12.0 | 30 |
| Fixed HEX.Screws 5.8x12.0 | 40 |
| NON-Accessories | 50 |

IF you like to rivet M3 thrade insteda of UNC 4-40, please add "M" After last Code for example B01M,B02.....etc.