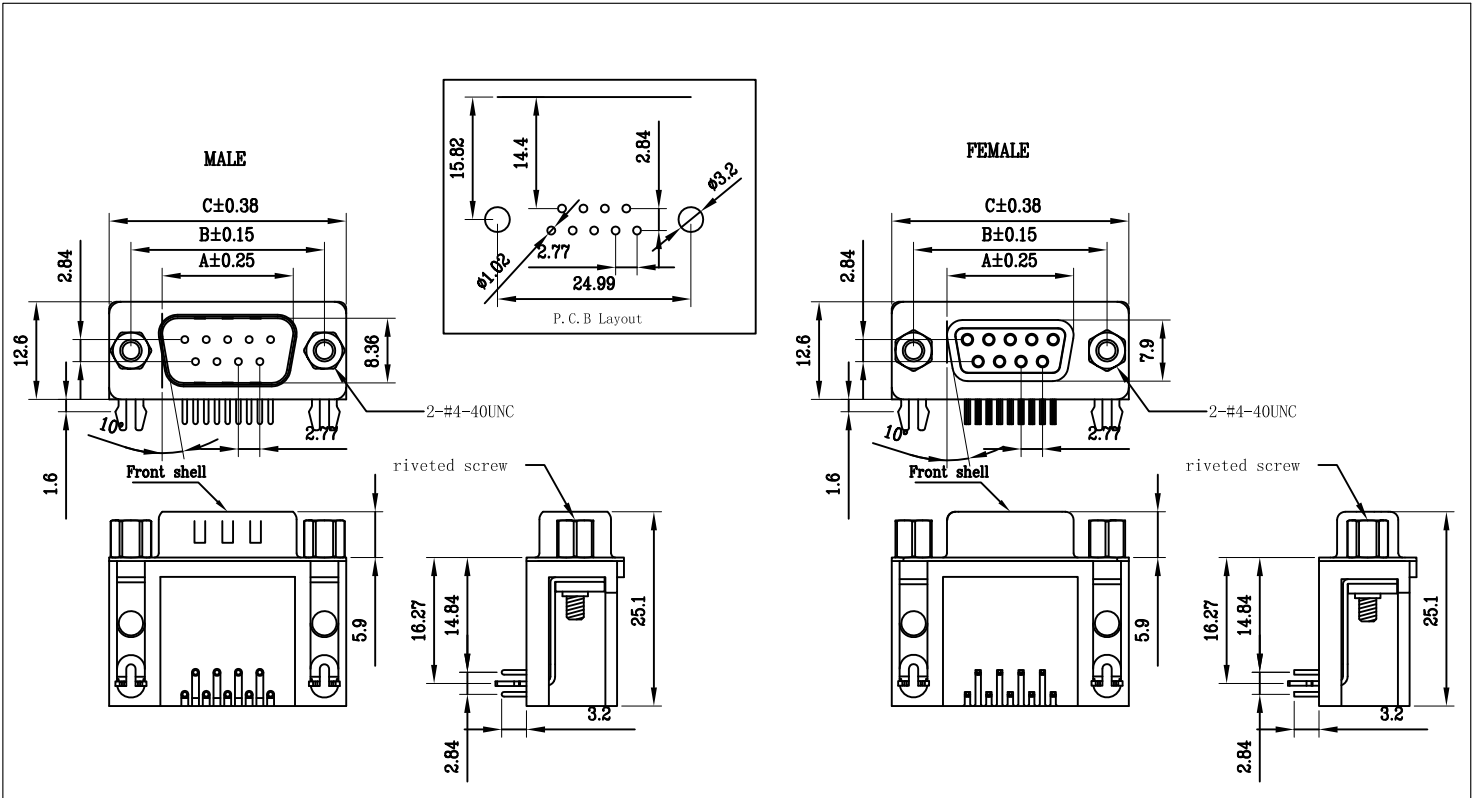


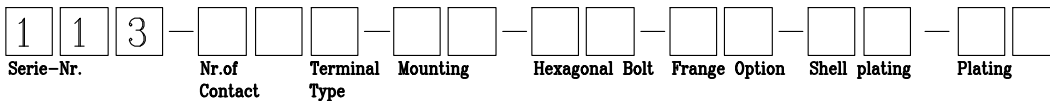
D-Sub Right Angle Type (13.84mm)

Technical data :

Material shell steel , nickel plating
Insulator Thermoplastic polyester
Burning properties self-extinguishing rated 94V-0
Contact Cooper alloy
Contact surface gold plated over nickel
Operating Temperature -55°C to +105°C
Electrical data :
Current rating : 5A
Working voltage 125VAC
Test voltage 1000V/50hz
Contact resistance 10mOhm
Insulator resistance 10¹⁰Ohm min. 500VDC
Mating cycles Class 3=min. 50cycles



How to order



Nr. of contact	code
09	09
15	15
25	25
37	37

Dimensions(Male version)			
	A	B	C
9	16.92	24.99	30.81
15	25.25	33.32	39.14
25	38.96	47.04	53.04
37	55.42	63.50	69.32

Mounting method	Code
4#40 Thread rivet W/Boardlock	10
Non rivet,Fixed screws W/Boardlock	20
Non thread rivet	30
4#40 Thread rivet only	31
4#40 Thread rivet W/L bracket	40
Non rivet,Fixed screws W/L Bracket	50
4#40 Thread rivet W/4-prong boardlock	60
M3 Thread rivet W/ bracket	70
M3 Thread rivet W/L Boardlock	80
M3 Thread rivet W/4-prong boardlock	90

Hexagonal bolt Option	Code
Loose HEX.Screws 4.8x11.8	10
Fixed HEX.Screws 4.8x11.8	20
Loose HEX.Screws 5.8x12.0	30
Fixed HEX.Screws 5.8x12.0	40
NON-Accessories	50

Shell plating		
Front shell	Rear shell	Code
Ni plating	Tin plating	30
Ni plating	Ni plating	40

Terminal Type	Code
Plug	1
Socket	2

Dimensions(Female version)			
	A	B	C
9	16.33	24.99	30.81
15	24.66	33.32	39.14
25	38.38	47.04	53.04
37	54.84	63.50	69.32

Plating Option	Code
Full gold Flash plating	10
Selective gold flash plating	60
5u" selective gold plating	05
15u" selective gold plating	15
30u" selective gold plating	30

Frang Option	Code
Long Frange	10
Short Frange	20

Please refer page 24-25 for mounting option

W.E.