

LM101 Series

1.25mm Pitch Wafer Vertical DIP Type

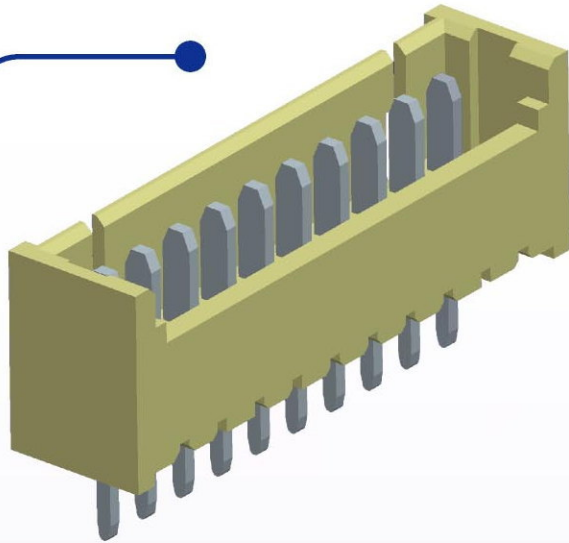
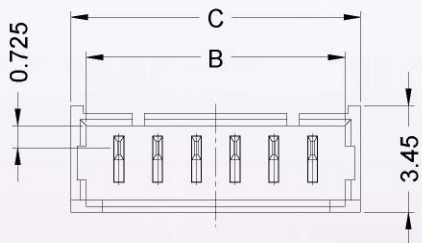
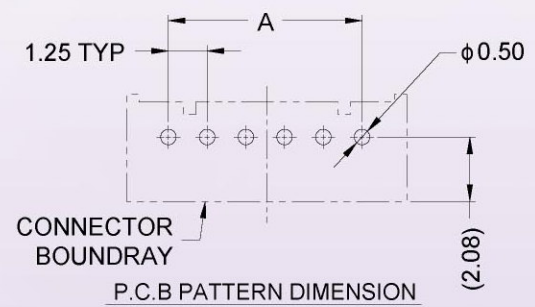
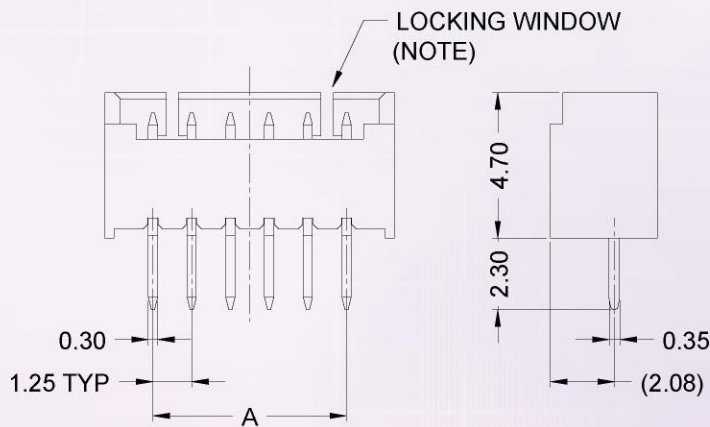


TABLE OF DIM. Unit: mm

POS.	A	B	C
2	1.25	3.05	4.35
3	2.50	4.30	5.60
4	3.75	5.55	6.85
5	5.00	6.80	8.10
6	6.25	8.05	9.35
7	7.50	9.30	10.60
8	8.75	10.55	11.85
9	10.00	11.80	13.10
10	11.25	13.05	14.35
11	12.50	14.30	15.60
12	13.75	15.55	16.85
13	15.00	16.80	18.10
14	16.25	18.05	19.35
15	17.50	19.30	20.60



NOTE:
LOCKING WINDOW
ONE PLACE FOR 2P AND 3P.
TWO PLACE FOR THE OTHERS.



Ordering Information

LM101

Product Series

010

Number OF Contacts

2 TO 15

TX

Contact Plating

T0: Tin/Lead Plated
TF: Lead Free Plated (under 90 ppm)

2

Packing Method

1: Tray
2: Tube