

△5	增加管控尺寸公差	2017,07,19
△4	增加特性功能說明	2017,07,14
△1	New Version	2016,06,29

REV.	DESCRIPTION	DATE
DR. Shun	CHK. Karl	APP. Peter

UNITS: MM

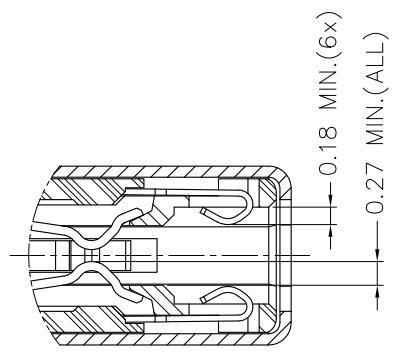
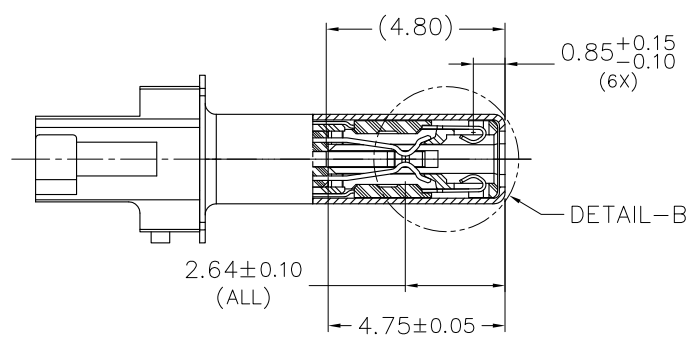
TOLERANCE (UNLESS SPECIFIED)	
0.0	±0.20
0.00	±0.10
0.000	±0.05
ANG.	±2°



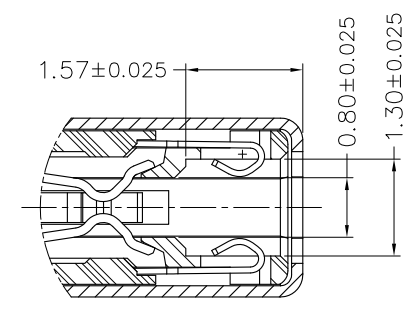
TITLE: USB 3.1 Type C Plug
12+10 Position Connector
(For Gen 2)

DWG NO. UTC132-022_P
FILE PATH USB/UTC132-022_P5

SHEET 1 / 2
REV. 5



DETAIL-B (VIEW-1)
SCALE 2:1

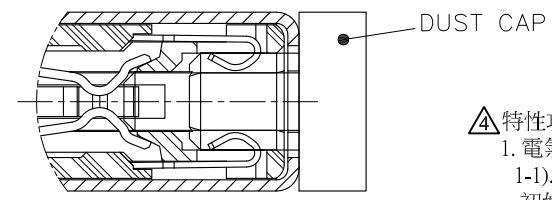
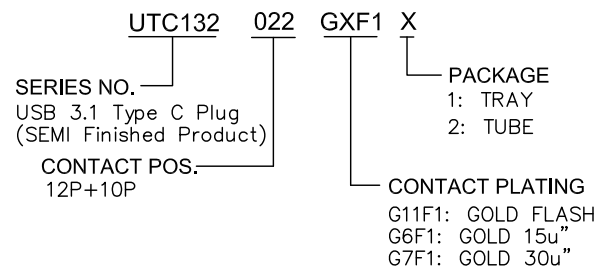


DETAIL-B (VIEW-2)
SCALE 2:1

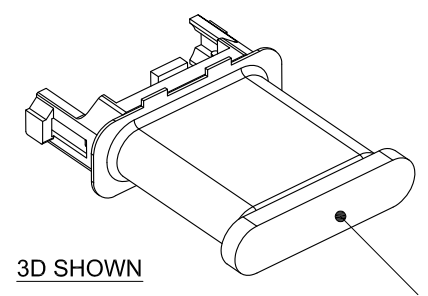
NOTE

1. MATERIAL
 - 1.1 HOUSING: LCP+30% GF(COLOR: BLACK); UL 94V-0
 - 1.2 LATCH PLATE: STAINLESS; T:0.40mm
 - 1.3 TERMINAL: COPPER ALLOY; T:0.12mm
 - 1.4 GND SPRING : STAINLESS; T:0.08mm
 - 1.5 FRONT SHELL: STAINLESS; T:0.15mm
2. TERMINAL FINISH
 - 2.1 CONTACT AREA: GOLD PLATING (SEE ORDERING INFORMATION)
 - 2.2 SOLDER AREA: TIN PLATING 100u"
 - 2.3 UNDERPLATE PLATED: NICKEL 80u"
3. SHELL FINISH
NICKEL 50u"MIN

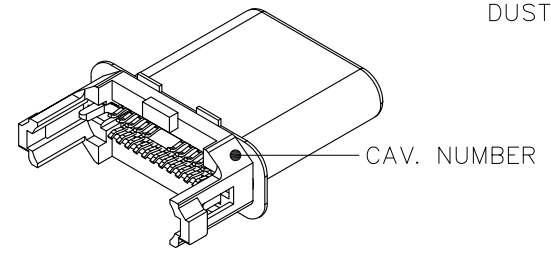
< ORDERING INFORMATION >



SCALE 2:1



3D SHOWN

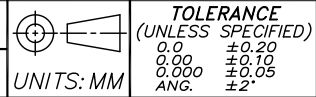


CAV. NUMBER

特性功能:

1. 電氣性能
 - 1-1.低功率接觸阻抗<Low level contact resistance>:
初始40mΩ最大.(20mV,100mA).測試條件: EIA364-23b
 - 1-2.耐高壓<Dielectric withstanding Voltage>:100V AC.
(測試1分鐘,漏電流0.5mA).測試條件: EIA 364-20
 - 1-3.絕緣阻抗<Insulation Resistance>:100MΩ 最少.
(DC500V,測試2分鐘).測試條件:EIA364-21C
 - 1-4.連接器特性阻抗<Differential Impedance>:85±9Ω
2. 機械性能:(EIA364-13)
 - 2-1.插入力<Insertion force> :5N~20N.
 - 2-2.拔出力<Extraction force> :8N~20N.
(速度:每分鐘最快行程 12.5mm)
 - 2-3.耐久性(Durability):1萬次插拔循環.測試條件:
速度:每小時500±50次,每2500次插拔後產品翻轉180度.
- 3.環境性能
 - 可焊性測試<Solderability>.測試條件: EIA 364-52
溫度:255°C +/-5°C,浸錫5s.表面最少95%範圍沾錫飽滿
- 4.前鐵殼與塑膠主體保持力標準:
過爐前標準:主體與前鐵殼松脫力:最小0.6Kg
過爐後要求達到的標準:
測試條件:耐溫255±10°C,時間:5分鐘;
冷卻後主體與前鐵殼松脫力:最小0.2Kg.
- 5.鐵殼無壓傷,變形,油污等.
- 6.鹽霧測試:須通過氯化鈉濃度5%測試8小時以上.

5	增加管控尺寸公差	2017,07,19
4	增加特性功能說明	2017,07,14
3	New Version	2016,06,29
REV.	DESCRIPTION	DATE
DR. Shun	CHK. Karl	APP. Peter



TOLERANCE
(UNLESS SPECIFIED)
0.0 ±0.20
0.00 ±0.10
0.000 ±0.05
ANG. ±2°



TITLE: USB 3.1 Type C Plug
12+10 Position Connector
(For Gen 2)

DWG NO. UTC132-022_P	SHEET 2 / 2
FILE PATH USB/UTC132-022_P5	REV. 5