

CUSTOMER DRAWING

ORDERING INFORMATION

MCB32CM 010 G23 3

① ② ③ ④

① PRODUCT SERIES

USB 3.0 MICRO-B  
RECEPTACLE VERTICAL SMT

③ CONTACT PLATING

G23: GOLD(30u") PLATING ON CONTACT AREA  
GLODFLASH PLATING ON SOLDER AREA  
NICKEL (50u") UNDERPLATED OVER ALL.

② NUMBER OF CONTACTS

10P

④ PACKING METHOD

3: TAPE & REEL

PERFORMANCE CHARACTERISTICS

OPERATING VOLTAGE: 30V AC  
CURRENT RATING: 1.8 A (PIN 1 & PIN 5)  
0.25 A (OTHER PINS)  
CONTACT RESISTANCE: 30 mΩ MAX.(PIN 1 & PIN 5)  
50 mΩ MAX.(OTHERS)  
INSULATION RESISTANCE: 100 MΩ MIN.  
DIELECTRIC WITHSTANDING VOLTAGE: 100V AC/MINUTE  
OPERATING TEMPERATURE: -40°C TO +85°C

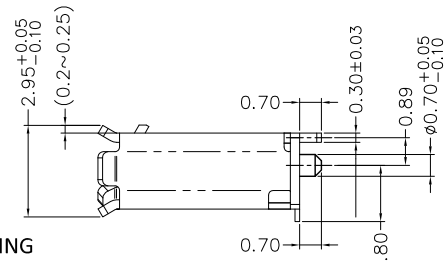
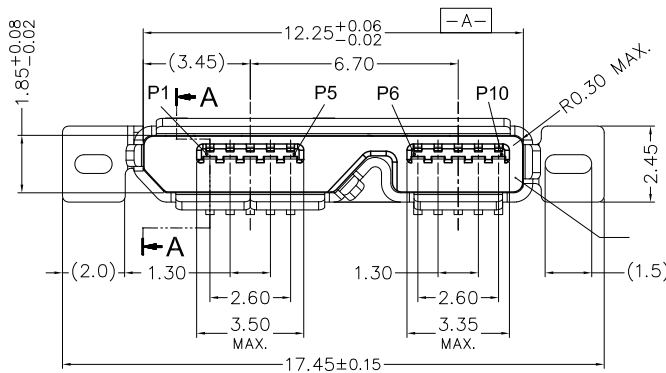
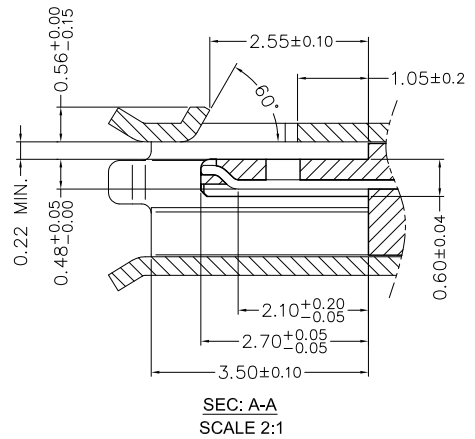
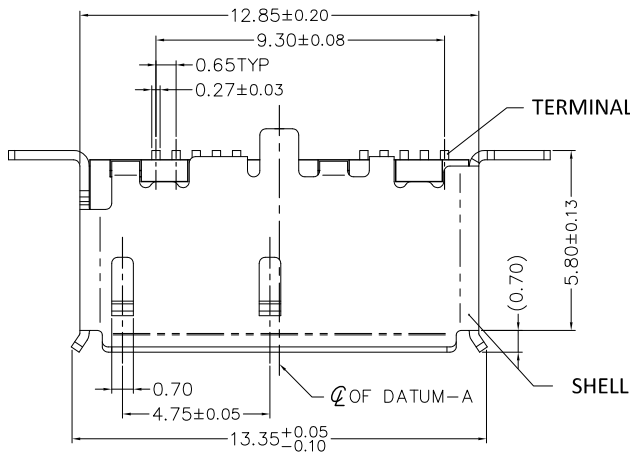
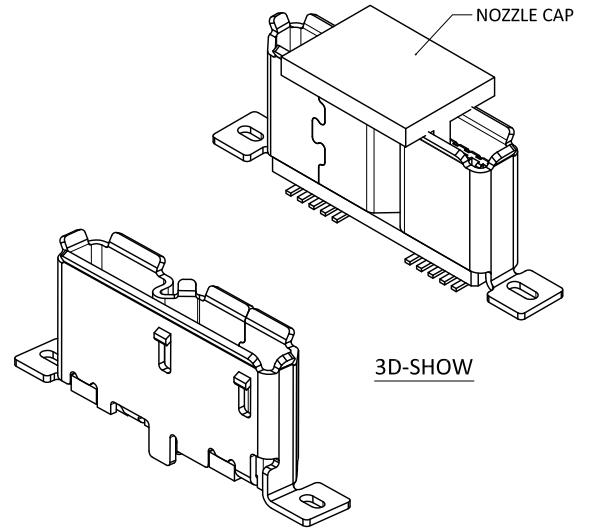
MATERIALS

HOUSING: HIGH TEMPERATURE THERMOPLASTIC,  
UL94V-0 RATED. (COLOR: BLACK)  
LCP E6808LHF  
TERMINAL: BRASS; C2680-H (THICKNESS: 0.3mm)  
SHELL: STAINLESS; SUS304 (THICKNESS: 0.3mm)

PLATING

TERMINAL: SEE ORDERING INFORMATION  
SHELL: NICKEL PLATED

REV.	DESCRIPTION	DATE	DRAWN	CHECKED	APPROVED
A	New Version	2013.09.08	Shun	Karl	Peter
B	Corrected Section A-A	2014.02.21	Shun	Karl	Peter
C	Revised	2015.07.29	Shun	Karl	Peter



TOLERANCE (UNLESS SPECIFIED)
0.0 ±0.20
0.00 ±0.10
0.000 ±0.05

UNITS: MM

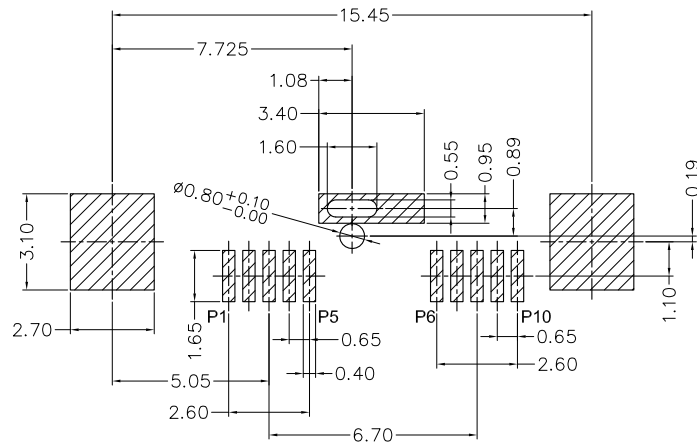


TITLE:  
USB 3.0 MICRO-B RECEPTACLE  
VERTICAL SMT TYPE

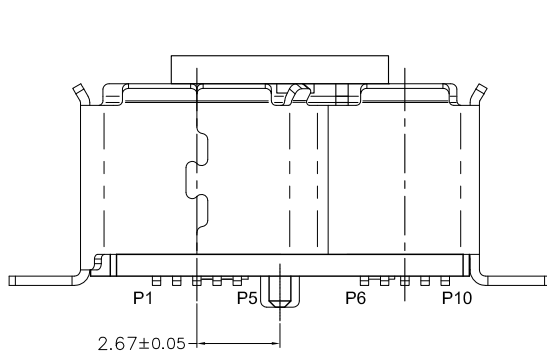
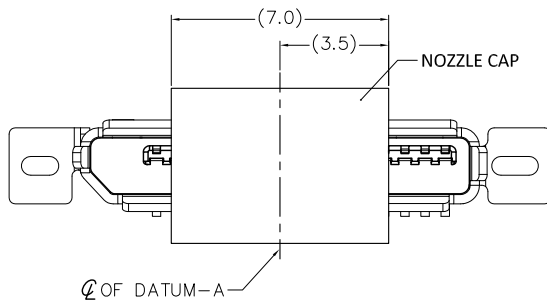
DWG NO. MCB32CM-G23_C	SERIES MCB	SHEET 1 / 2
FILE PATH USB\MCB32CM\MCB32CM-G23_CC	REV. C	

CUSTOMER DRAWING

REV.	DESCRIPTION	DATE	DRAWN	CHECKED	APPROVED
A	New Version	2013,09,08	Shun	Karl	Peter
B	Corrected Section A-A	2014,02,21	Shun	Karl	Peter
C	Revised	2015,07,29	Shun	Karl	Peter



RECOMMENDED PCB LAYOUT  
TOLERANCE:  $\pm 0.05$



NOZZLE CAP LOCATION



TOLERANCE (UNLESS SPECIFIED)	
0.0	$\pm 0.20$
0.00	$\pm 0.10$
0.000	$\pm 0.05$



**UNICORN**  
ELECTRONICS  
COMPONENTS

TITLE:  
USB 3.0 MICRO-B RECEPTACLE  
VERTICAL SMT TYPE

DWG NO.  
MCB32CM-G23\_C  
FILE PATH  
USB\MCB32CM\MCB32CM-G23\_CC

SERIES  
MCB

SHEET  
2 / 2  
REV.  
C