

CUSTOMER DRAWING

REV.	DESCRIPTION	DATE	DRAWN	CHECKED	APPROVED
E	ECN98029	2009,10,21	Denice	Ren	Peter
F	ECN98034	2009,12,02	Denice	Deming	Peter
G	ECN102001	2013,10,25	Shun	Ren	Peter

ORDERING INFORMATION

LM314 12X2 H TF 1 X

- ① ② ③ ④ ⑤ ⑥

① PRODUCT SERIES

2.0 SHROUDED HEADER
SIDE ENTRY DAUL ROW DIP TYPE

④ CONTACT PLATING

TF: LEAD FREE BRIGHT PLATED
(UNDER 90 PPM)

② NUMBER OF CONTACTS

SEE DIM. TABLE

⑤ PACKING METHOD

1: TRAY

③ INSULATOR TYPE

BLANK: NON-HALOGEN FREE
H: HALOGEN FREE

⑥ BOM CODE

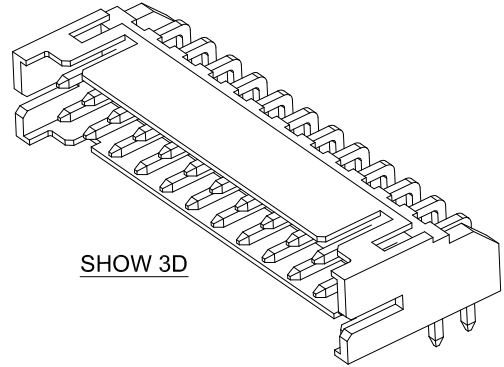
IDENTIFY BY UNICORN

PERFORMANCE CHARACTERISTICS

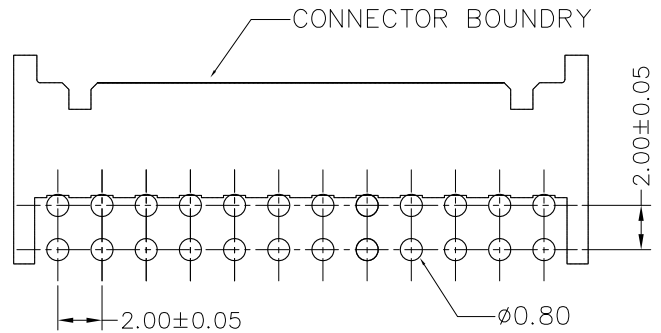
Operating Voltage:	250V AC/DC Max.
Current Rating:	3 Amp Max.
Contact Resistance:	20 mΩ Max.
Insulation Resistance:	1000 MΩ Min.
Dielectric Withstanding Voltage:	800 VAC RMS.
Operating Temperature:	-25°C TO +85°C

MATERIALS

Insulator:	High Temperature Thermoplastic , UL94V-0 Rated
Insulator Color:	Ivory
Terminal:	Copper Alloy
Plating:	SEE ORDERING INFORMATION



SHOW 3D



RECOMMEND P.C.B LAYOUT

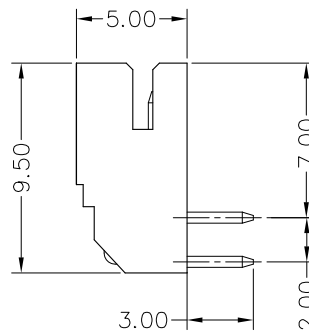
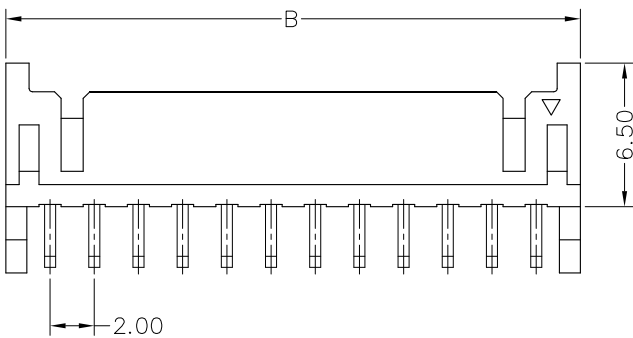
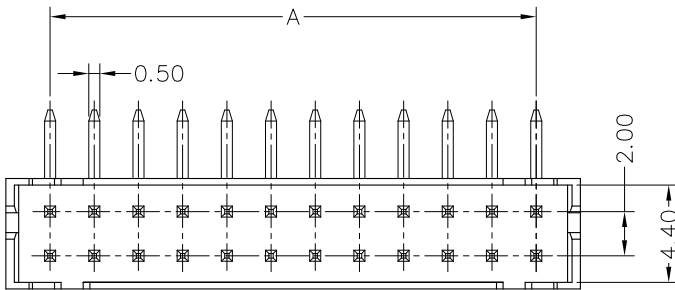


TABLE OF DIMENSION

NO. of Pins	Dimensions	
	A	B
3X2	4.00	8.00
4X2	6.00	10.00
5X2	8.00	12.00
6X2	10.00	14.00
7X2	12.00	16.00
8X2	14.00	18.00
9X2	16.00	20.00
10X2	18.00	22.00
11X2	20.00	24.00
12X2	22.00	26.00
13X2	24.00	28.00
14X2	26.00	30.00
15X2	28.00	32.00
16X2	30.00	34.00
17X2	32.00	36.00



TOLERANCE (UNLESS SPECIFIED)

0.0	±0.35
0.00	±0.20
0.000	±0.XX



UNICORN
ELECTRONICS
COMPONENTS

TITLE:
2.0 SHROUDED HEADER
SIDE ENTRY DUAL ROW DIP TYPE
(WAFER)

DWG NO.
LM314_C
FILE PATH
LM314/LM314_CG

SERIES
LM
SHEET
1 / 1
REV.
G