

CUSTOMER DRAWING

REV.	DESCRIPTION	DATE	DRAWN	CHECK	APPROVE
E	ECN97016	03/24/08*	Denice	Ren	Peter
F	ECN97032	09/25/08*	Denice	Ren	Peter

ORDERING INFORMATION

LM113 X 010 H TX 2 X
 ① ② ③ ④ ⑤ ⑥ ⑦

① PRODUCT SERIES

1.25 WIRE TO BOARD CONN.
 LOW PROFILE R/A SMT TYPE

② POST OPTION

BLANK : WITHOUT POST
 P: WITH POST

③ NUMBER OF CONTACTS

2 TO 30

④ INSULATOR TYPE

BLANK: NON-HALOGEN FREE
 H: HALOGEN FREE

⑤ CONTACT PLATING

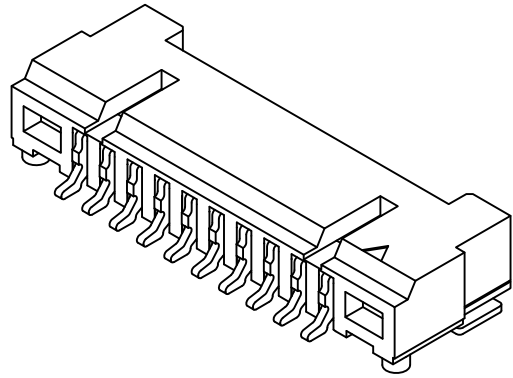
TF: LEAD FREE BRIGHT PLATED
 (UNDER 90 PPM)
 TF1: LEAD FREE MATTE PLATED
 (UNDER 90 PPM)

⑥ PACKING METHOD

2: TUBE
 3: TAPE/REEL

⑦ BOM CODE

IDENTIFY BY UNICORN



PERFORMANCE CHARACTERISTICS

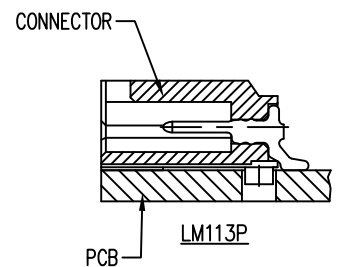
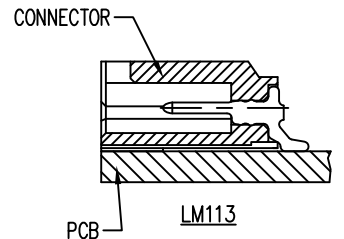
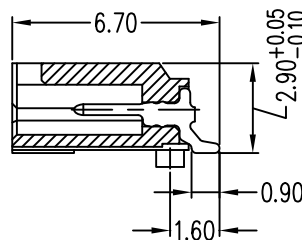
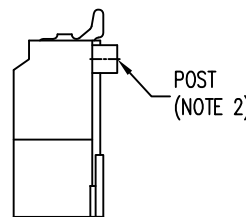
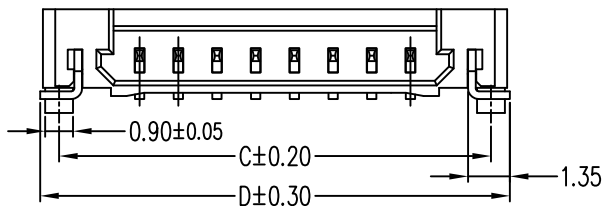
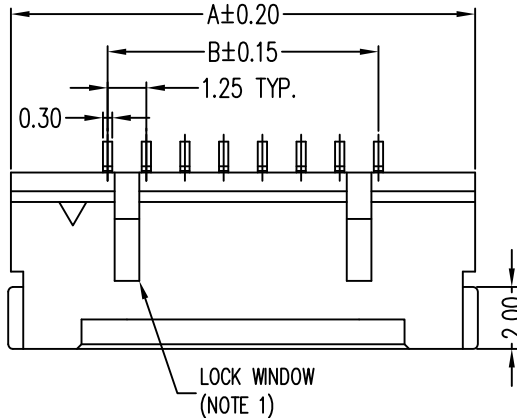
Operating Voltage: 150VAC
 Current Rating: 1 Amp
 Contact Resistance: 30 mΩ Max.
 (after test)
 Insulation Resistance: 500 MΩ Min.
 Dielectric Withstanding Voltage: 500 VAC RMS.
 (for 1 minute.)
 Operating Temperature: -25°C TO +85°C

MATERIAL

Insulator: High Temperature Thermoplastic,
 UL94V-0 Rated
 Terminal: Copper Alloy
 Mounted Ear: Copper Alloy
 Plating: SEE ORDERING INFORMATION

NOTE

- 1) LOCK WINDOW
 SINGAL FOR 2 ~ 3 POS.
 DOUBLE FOR 4 ~ 30 CONTACTS
- 2) POST
 LM113 WITHOUT
 LM113P WITH
- 3) LAYOUT HOLE
 LM113 WITHOUT
 LM113P WITH



TOLERANCE (UNLESS SPECIFIED)	
0.0	±0.35
0.00	±0.20
0.000	±0.XX



UNICORN
 ELECTRONICS
 COMPONENTS

TITLE:
 1.25 WIRE TO BOARD CONN.
 LOWER PROFILE SMT R/A TYPE

DWG NO.
 LM113_C
 FILE PATH
 LM113\LM113_CF

SERIES
 LM

SHEET
 1/2
 REV.
 F

REV.	DESCRIPTION	DATE	DRAWN	CHECK	APPROVE
E	ECN97016	03/24/08*	Denice	Ren	Peter
F	ECN97032	09/25/08*	Denice	Ren	Peter

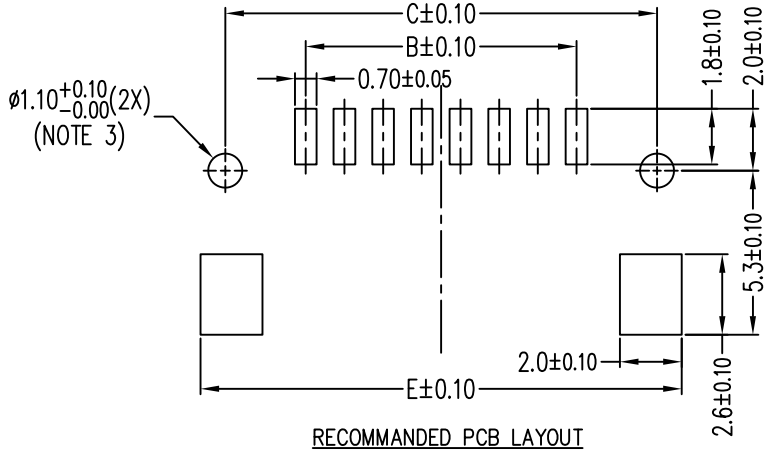


TABLE OF DIMENSION

POS.	Dimensions				
	A	B	C	D	E
2P	7.50	1.25	6.45	7.70	8.05
3P	8.75	2.50	7.70	8.95	9.30
4P	10.00	3.75	8.95	10.20	10.55
5P	11.25	5.00	10.20	11.45	11.80
6P	12.50	6.25	11.45	12.70	13.05
7P	13.75	7.50	12.70	13.95	14.30
8P	15.00	8.75	13.95	15.20	15.55
9P	16.25	10.00	15.20	16.45	16.80
10P	17.50	11.25	16.45	17.70	18.05
11P	18.75	12.50	17.70	18.95	19.30
12P	20.00	13.75	18.95	20.20	20.55
13P	21.25	15.00	20.20	21.45	21.80
14P	22.50	16.25	21.45	22.70	23.05
15P	23.75	17.50	22.70	23.95	24.30
16P	25.00	18.75	23.95	25.20	25.55
17P	26.25	20.00	25.20	26.45	26.80
18P	27.50	21.25	26.45	27.70	28.05
19P	28.75	22.50	27.70	28.95	29.30
20P	30.00	23.75	28.95	30.20	30.55
21P	31.25	25.00	30.20	31.45	31.80
22P	32.50	26.25	31.45	32.70	33.05
23P	33.75	27.50	32.70	33.95	34.30
24P	35.00	28.75	33.95	35.20	35.55
25P	36.25	30.00	35.20	36.45	36.80
26P	37.50	31.25	36.45	37.70	38.05
27P	38.75	32.50	37.70	38.95	39.30
28P	40.00	33.75	38.95	40.20	40.55
29P	41.25	35.00	40.20	41.45	41.80
30P	42.50	36.25	41.45	42.70	43.05



TOLERANCE
(UNLESS SPECIFIED)

0.0	±0.35
0.00	±0.20
0.000	±0.XX



UNICORN
ELECTRONICS
COMPONENTS

TITLE:

1.25 WIRE TO BOARD CONN.
LOWER PROFILE SMT R/A TYPE

DWG NO.
LM113_C
FILE PATH
LM113\LM113_CF

SERIES
LM

SHEET
2/2
REV.
F