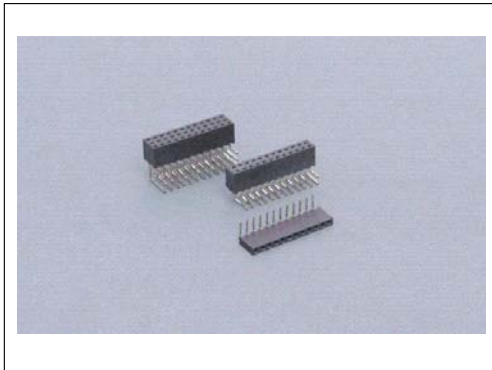




F08

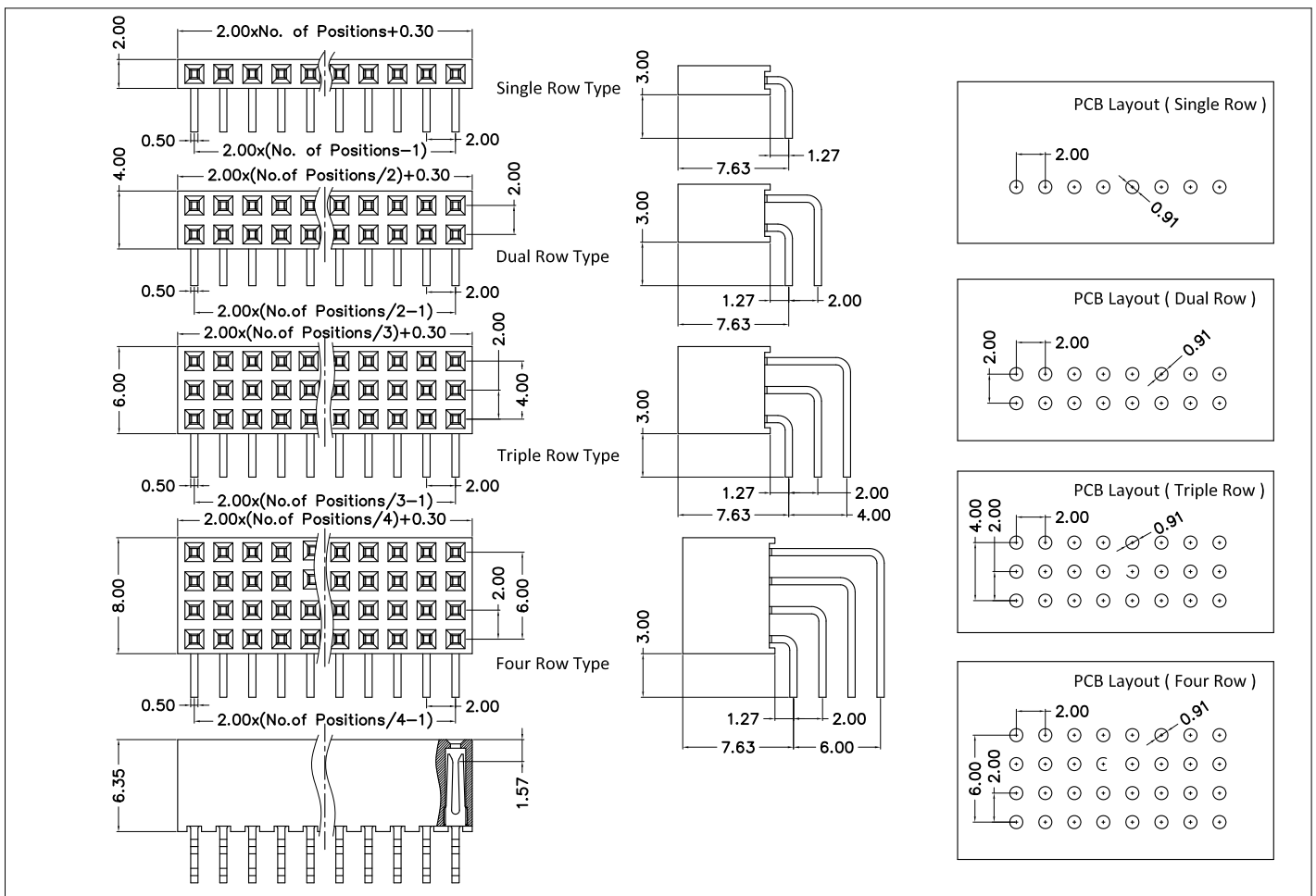
2.00mm Pitch Female Header Single & Dual & Triple & Four Row Right Angle DIP TYPE



Specification:

Insulator Material:	High Temperature Thermoplastic, UL94V-0.
Contact Material:	Copper Alloy.
Contact Plating:	Au or Sn over Nickel.
Current Rating:	1 AMP.
Contact Resistance:	20 Milliohms Max.
Insulator Resistance:	1000 Megohms Min.
Dielectric Withstanding:	500V AC for 1 Minute.
Operating Temperature:	-40°C ~ +105°C.
Max. Processing Temp.:	230°C for 30~60 seconds. 260°C for 10 seconds.

RoHS Compliant



Ordering Information: F08 - XXX - XX - XXX

1 --> Series Number:	F08			
2 --> Contact Positions:	Single Row: 002~040,	Dual Row: 004~080,	Triple Row: 006~120,	Four Row: 008~160,
3 --> Contact Row:	10: Single Row Type,	20: Dual Row Type,	30: Triple Row Type,	40: Four Row Type,
4 --> Plating option:	100: Full Gold Flash Plated,	500: Tin Plated,	600: Selective Gold Flash Plated	
	610: 10U" selective Gold plated,	615: 15U" selective Gold plated		
	620: 20U" selective Gold plated,	630: 30U" selective Gold plated		