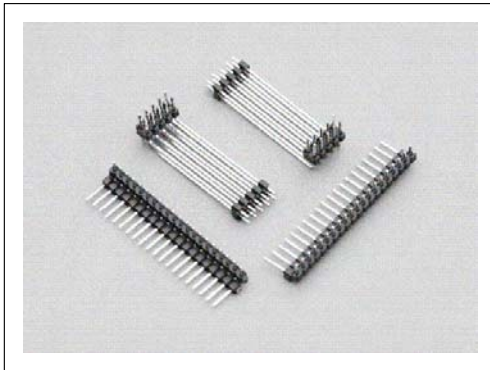




E49

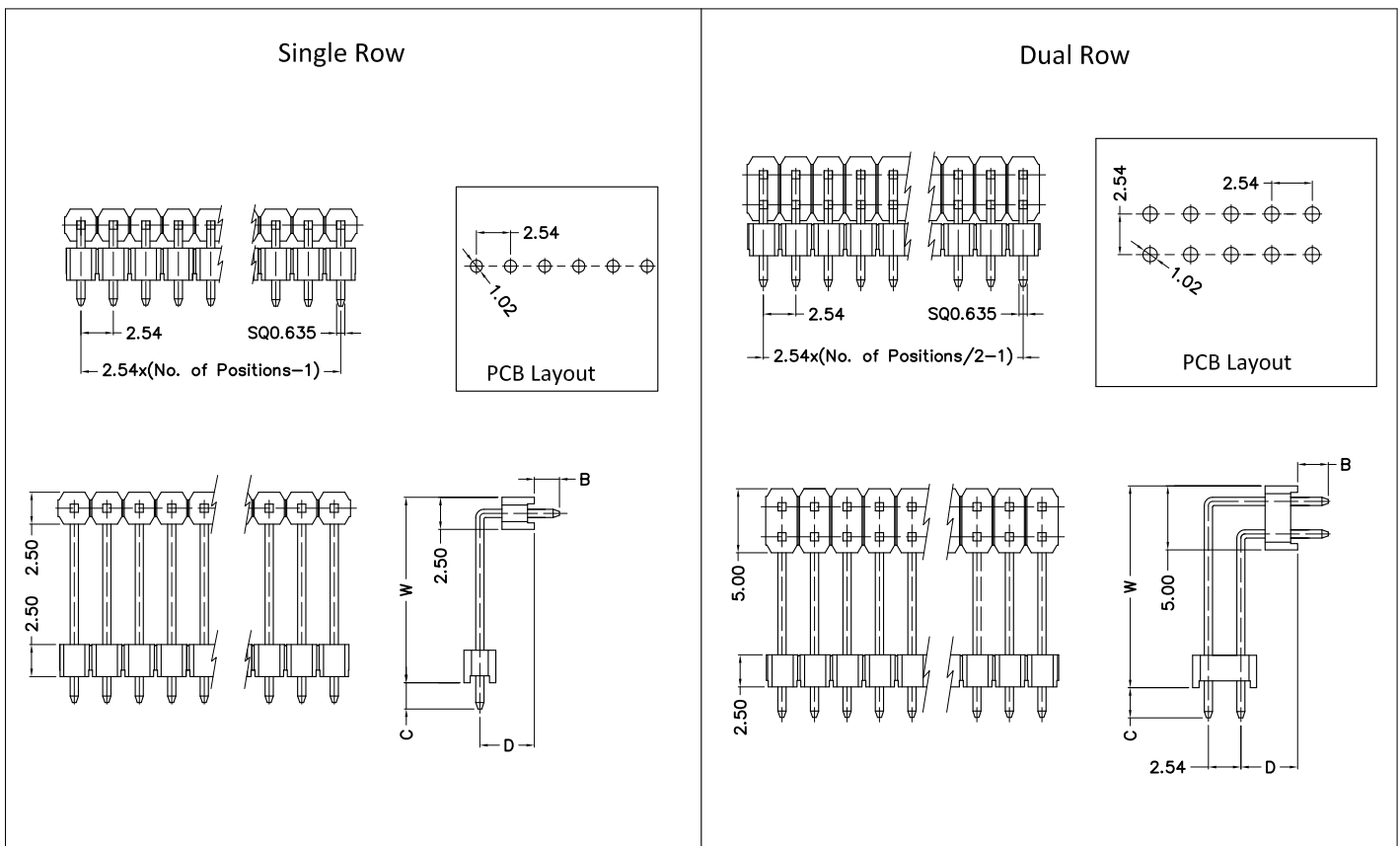
2.54mm Pitch Pin Header Single & Dual Row Dual Body Right Angle DIP TYPE (Up-Right)



Specification:

Insulator Material:	High Temperature Thermoplastic, UL94V-0.
Contact Material:	Copper Alloy, 0.635x0.635mm.
Contact Plating:	Au or Sn over Nickel.
Current Rating:	3 AMP.
Insulator Resistance:	5000 Megohms Min.
Dielectric Withstanding:	500V AC for 1 Minute.
Operating Temperature:	-40°C ~ +105°C.
Max. Processing Temp.:	230°C for 30~60 seconds. 260°C for 10 seconds.

RoHS Compliant



Ordering Information: E49 - XXX - XX - XX - XXX

1 2 3 4 5

1 --> Series Number:	E49	
2 --> Contact Positions:	Single Row: 001-050,	Dual Row: 004-100,
3 --> Contact Row:	10: Single Row,	20: Dual Row,
4 --> Dimension option:	10: B=4.60, C=3.30, D=3.90, W=13.50,	11: B=4.80, C=3.30, D=3.90, W=16.80,
	As request: B/C/D/W=XX/XX/XX/XX, For Eg: B=4.65, C=3.20, D=6.20, W=15.60, Code=4.65/3.20/6.20/15.60,	
5 --> Plating option:	100: Full Gold Flash Plated,	500: Tin Plated,
	610: 10U" selective Gold plated,	615: 15U" selective Gold plated
	620: 20U" selective Gold plated,	630: 30U" selective Gold plated