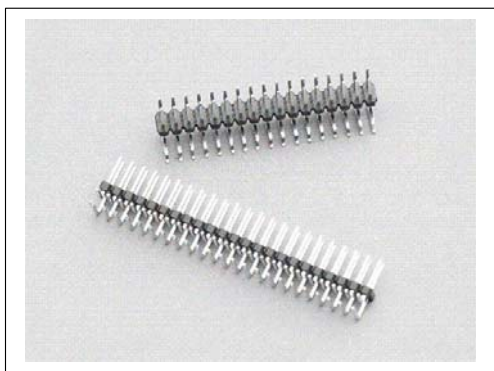




# E45

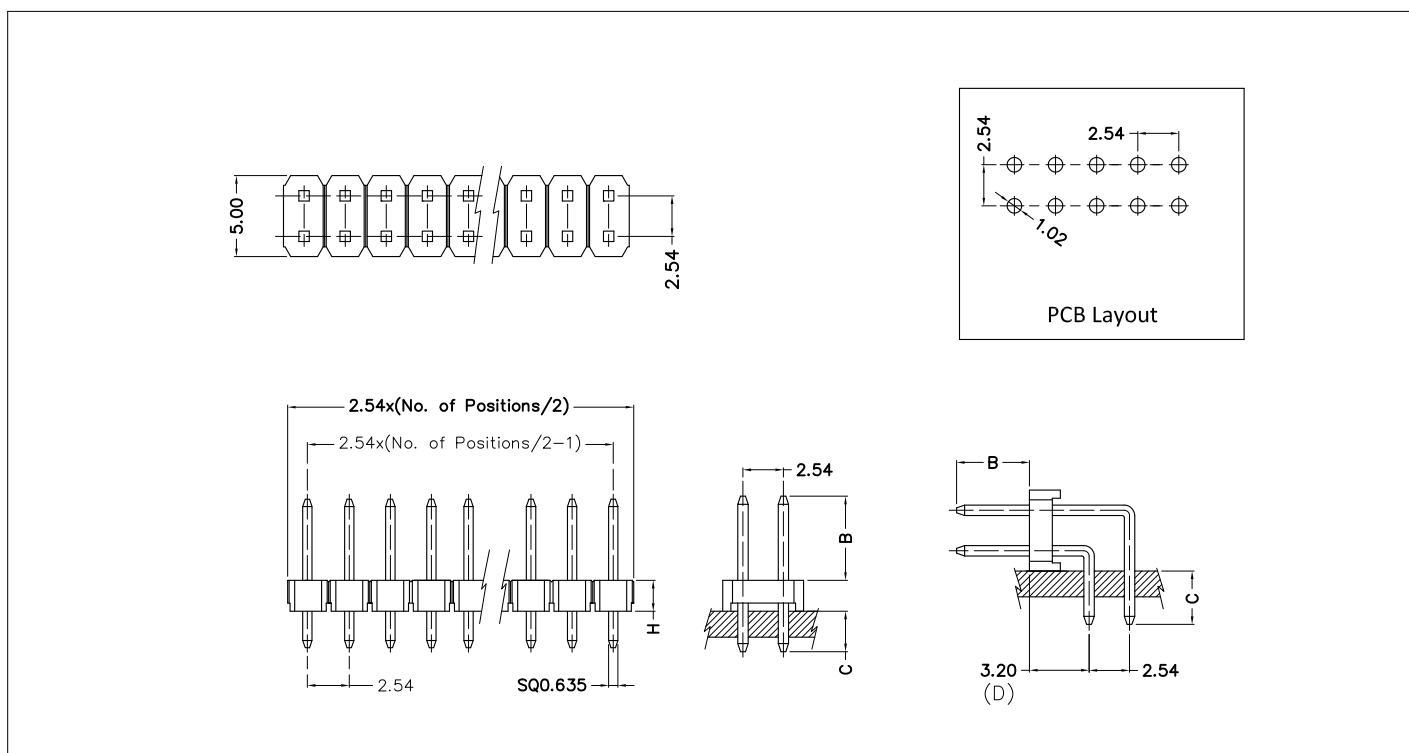
## 2.54mm Pitch Pin Header Dual Row Single Body Straight & Right Angle DIP TYPE



### Specification:

Insulator Material:	High Temperature Thermoplastic, UL94V-0.
Contact Material:	Copper Alloy, 0.635x0.635mm.
Contact Plating:	Au or Sn over Nickel.
Current Rating:	3 AMP.
Insulator Resistance:	5000 Megohms Min.
Dielectric Withstanding:	500V AC for 1 Minute.
Operating Temperature:	-40°C ~ +105°C.
Max. Processing Temp.:	230°C for 30~60 seconds. 260°C for 10 seconds.

RoHS Compliant



### Ordering Information: E45 - XXX - XX - XX - XX - XXX

1            2            3            4            5            6

1 --> Series Number:	E45				
2 --> Contact Positions:	1-40Pin: 001-040,				
3 --> Connector Type:	10: Straight Type,	11: Right Angle Type,			
4 --> Insulator option:	10: H=1.50,	11: H=1.70,			
5 --> Dim. "B, C, D" option:	For Straight Type:	10: B=6.00, C=2.50,	11: B=6.60, C=2.50,	12: B=6.30, C=3.30,	13: B=7.60, C=3.30,
		14: B=9.00, C=3.30,	15: B=9.80, C=3.30,	16: B=12.90, C=3.30,	17: B=14.80, C=3.30,
		18: B=16.60, C=3.30,	19: B=17.80, C=3.30,	20: B=19.90, C=3.30,	21: B=9.50, C=3.30,
		As request: B/C=XX/XX, For Eg: B=7.00, C=3.00, Code=7.00/3.00,			
		For Right Angle Type:	20: B=3.50, C=3.30, D=3.20,	21: B=4.80, C=3.30, D=3.20,	22: B=6.10, C=3.30, D=3.20,
		23: B=6.90, C=3.30, D=3.20,	24: B=9.90, C=3.30, D=3.20,	25: B=12.00, C=3.30, D=3.20,	
		26: B=13.80, C=3.30, D=3.20,	27: B=15.00, C=3.30, D=3.20,	28: B=17.10, C=3.30, D=3.20,	
		As request: B/C/D=XX/XX/XX, For Eg: B=6.50, C=3.00, D=3.50, Code=6.50/3.00/3.50,			
6--> Plating option:	100: Full Gold Flash Plated,	500: Tin Plated,	600: Selective Gold Flash Plated		
	610: 10U" selective Gold plated,	615: 15U" selective Gold plated			
	620: 20U" selective Gold plated,	630: 30U" selective Gold plated			