



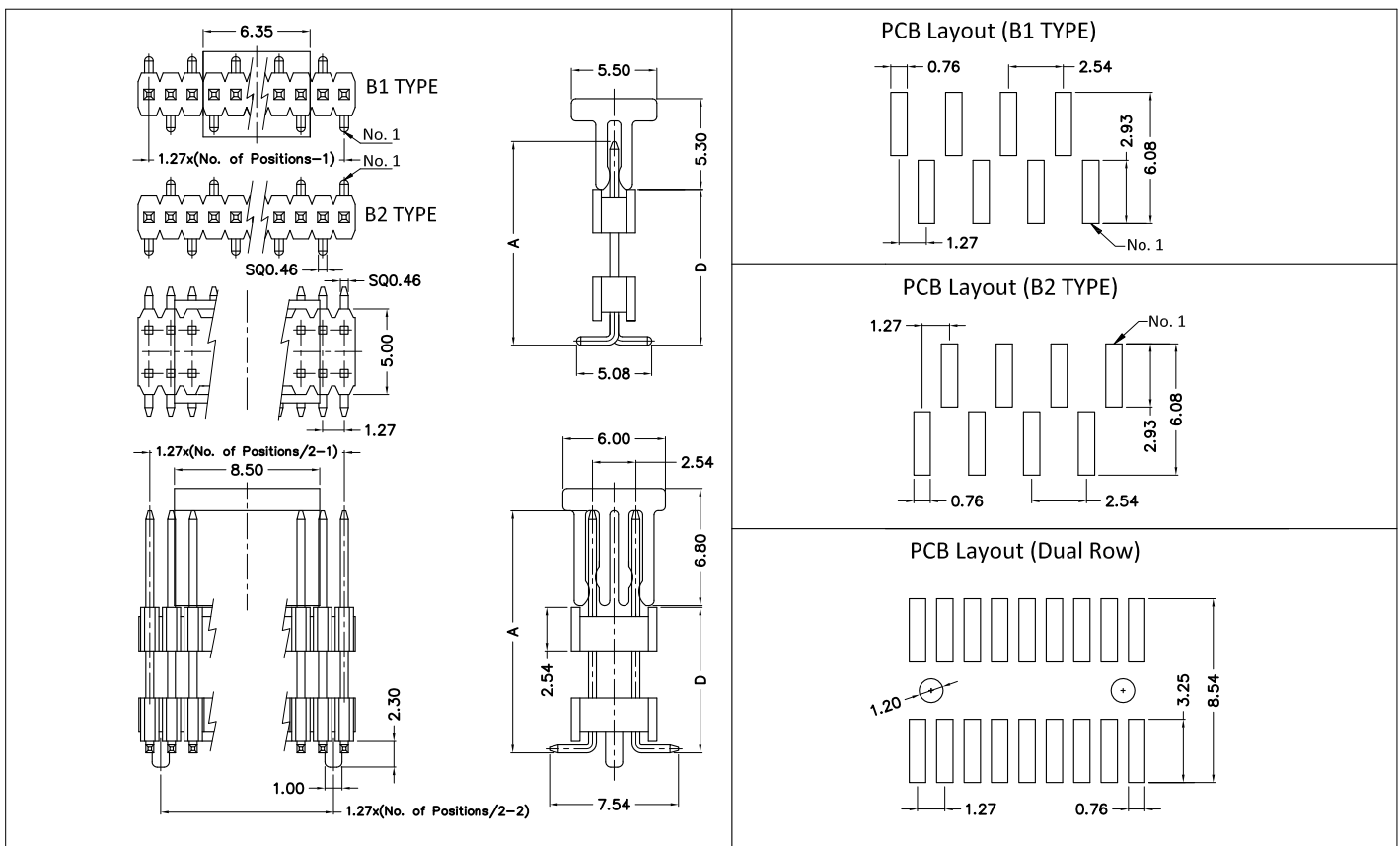
## 1.27mm Pitch Pin Header Single & Dual Row Dual Body Vertical SMT TYPE ( Dual Row: 1.27\*2.54mm)



### Specification:

Insulator Material:	High Temperature Thermoplastic, UL94V-0.
Contact Material:	Copper Alloy, 0.46x0.46mm.
Contact Plating:	Au or Sn over Nickel.
Current Rating:	1 AMP.
Insulator Resistance:	500 Megohms Min.
Dielectric Withstanding:	500V AC for 1 Minute.
Operating Temperature:	-40°C ~ +105°C.
Max. Processing Temp.:	230°C for 30~60 seconds. 260°C for 10 seconds.

RoHS Compliant



### Ordering Information: E17 - XXX - XX - XX - XX - XXX - XX - X - XX

1 --> Series Number:	E17								
2 --> Contact Positions:	Single Row: 002~050,			Dual Row: 004~100,					
3 --> Layout option:	10: Single Row B1 TYPE,			11: Single Row B2 TYPE,			20: Dual Row		
4 --> Dim. "A" option:	10: A=7.30,	11: A=8.38,	12: A=9.78,	13: A=11.05,	14: A=12.45,	15: A=12.83,	16: A=13.46, 17: A=14.86, 18: A=15.62, As request: A=XX, For Eg: A=10.20, Code=1.20,		
5 --> Stacker height option:	As request: D=XX, For Eg: D=5.08, Code=5.08,			D=6.35, Code=6.35,					
6 --> Plating option:	100: Full Gold Flash Plated,			500: Tin Plated,			600: Selective Gold Flash Plated		
	610: 10U" selective Gold plated,			615: 15U" selective Gold plated					
	620: 20U" selective Gold plated,			630: 30U" selective Gold plated					
7 --> CAP option:	00: Without CAP,				01: With CAP,				
8 --> Packing option:	2: Tube,			3: T&R,					
9 --> Location Peg option: ( For Dual Row only )	00: Without Peg,				01: With Peg,				