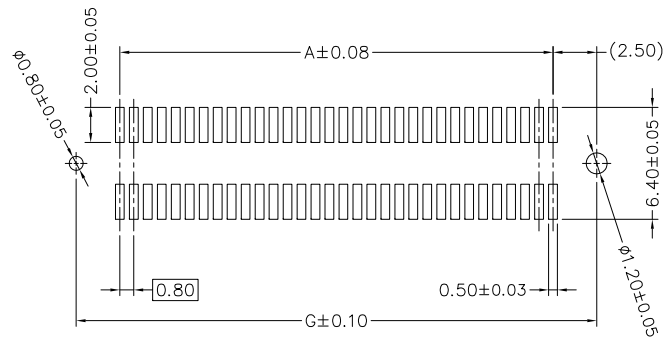
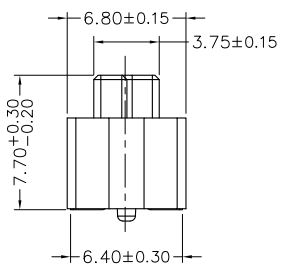
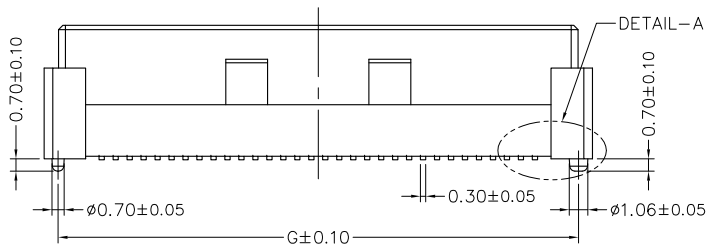


THE COPLANARITY OF ALL TAILS IS 0.10 MAX.

DETAIL-A  
SCALE 3:1



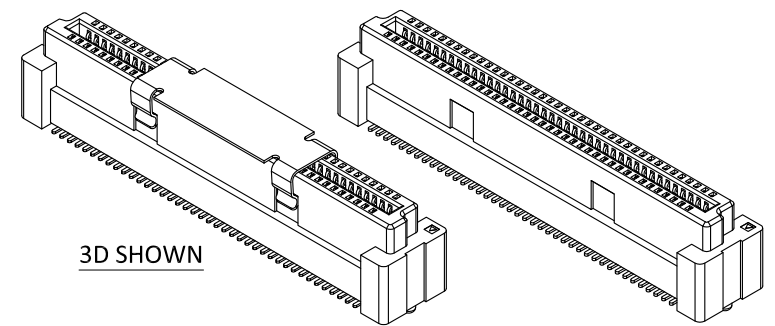
RECOMMENDED PCB LAYOUT WITH PEGS

NOTE:

1. MATERIAL
  - 1.1 HOUSING: LCP, HIGH TEMPERATURE THERMOPLASTIC, UL94V-0 RATED. (COLOR: NATURE)
  - 1.2 TERMINAL: HIGH CONDUCTIVITY COPPER; T:0.20mm
  - 1.3 CAP: STAINLESS; T:0.20mm
2. TERMINAL FINISH
  - 2.1 CONTACT AREA: GOLD PLATING (SEE ORDERING INFORMATION)
  - 2.2 SOLDER AREA: TIN PLATING 80μ" MIN.
  - 2.3 UNDERPLATE PLATED: NICKEL 50μ" MIN.
3. CAP FINISH  
NO PLATED

< ORDERING INFORMATION >

SERIES NO. **BR077** **XXXX** **GXXF1** **3** **1**  
 0.8 PITCH BOARD TO BOARD  
 7.7H RECEPTACLE CONNECTOR  
 CONTACT POS. SEE DIM. TABLE  
 CAP OPTION  
 0: WITHOUT CAP  
 1: WITH WATER CAP  
 PACKAGE  
 2: TUBE  
 3: T&R  
 CONTACT PLATING  
 GOLD PLATING ON CONTACT AREA  
 MATTE-TIN (80μ" MIN.) ON SOLDER AREA  
 NICKEL (50μ" MIN.) UNDERPLATED OVER ALL.  
 G29F1: GOLD 4μ" MIN.  
 G30F1: GOLD 8μ" MIN.  
 G20F1: GOLD 15μ" MIN.



DIM. TABLE

ORDERING NO.	CONTACT POSITIONS	DIENSION						
		A	B	C	D	E	F	G
2032	2 X 32	24.80	26.80	28.35	29.75	26.65	31.40	29.80
2040	2 X 40	31.20	33.20	34.75	36.15	33.05	37.80	36.20
2060	2 X 60	47.20	49.20	50.75	52.15	49.05	53.80	52.20

5	Revised	2018,10,31
4	Revised	2018,10,02
1	New Version	2016,12,07
REV.	DESCRIPTION	DATE
DR. Shun	CHK. Ren	APP. Peter

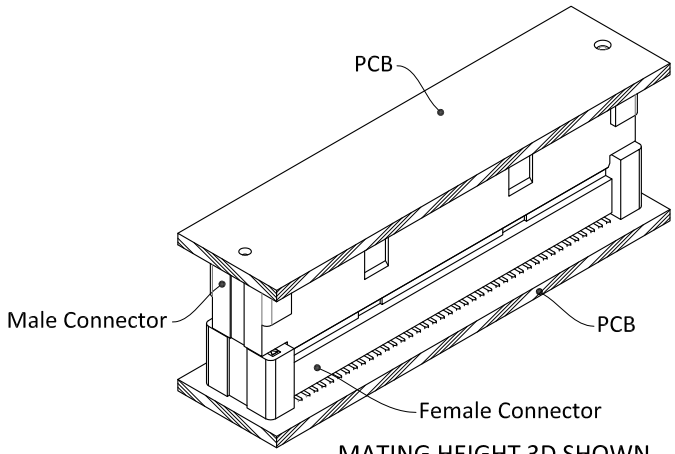
TOLERANCE (UNLESS SPECIFIED)  
 0.0 ±0.35  
 0.00 ±0.20  
 0.000 ±0.10  
 ANG. ±1°



TITLE: 0.8 PITCH BOARD TO BOARD  
 7.7H RECEPTACLE CONNECTOR

DWG NO. BR077\_P  
 FILE PATH BTB\BR077\BR077\_P5

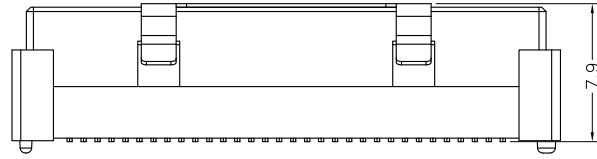
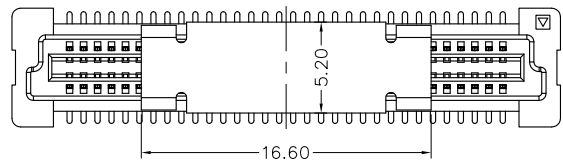
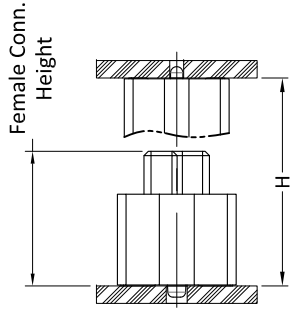
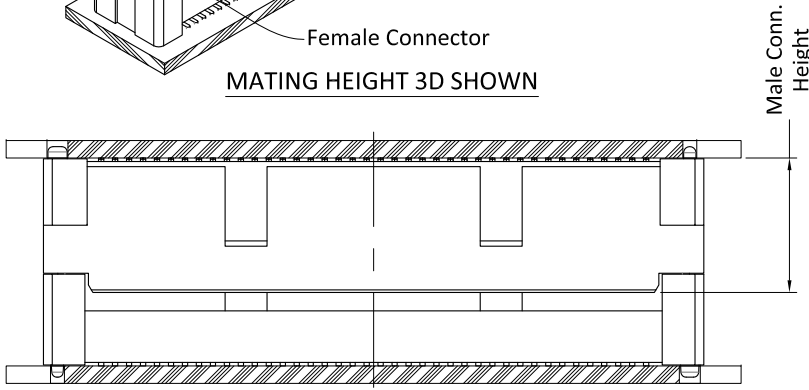
SHEET 1 / 2  
 REV. 5



MATING HEIGHT 3D SHOWN

@ Mating Height Option Table

Connector Height(mm)		Mating Height(mm)
Female	Male	H
7.7	7.7	11.90



WITH CAP

5	Revised	2018,10,31
4	Revised	2018,10,02
1	New Version	2016,12,07
REV.	DESCRIPTION	DATE
DR. Shun	CHK. Ren	APP. Peter



TOLERANCE  
(UNLESS SPECIFIED)

0.0	±0.35
0.00	±0.20
0.000	±0.10
ANG.	±1°



TITLE: 0.8 PITCH BOARD TO BOARD  
7.7H RECEPTACLE CONNECTOR

DWG NO. BR077\_P  
FILE PATH BTB\BR077\BR077\_P5

SHEET 2 / 2  
REV. 5