

Desk Top Power Supplies



www.powersolve.com.tw

PSG80-150 Series
80-150 Watts Switch Mode,
Power Factor Corrected
Universal AC Input



Features

- 90-264V AC Universal Input
- Active Power Factor Correction
- IEC320 3 pin AC Input
- Compact Size
- High Efficiency
- Integral long life ball bearing fan
- Built in Constant Current, Constant Voltage & Constant Power.

Specification			
Input Voltage:	90-264V AC Power Factor Corrected	DC Outputs:	See table
Inrush Current:	80A max @ cold start	Over Voltage Protection:	Standard with Automatic Recovery
Input Current:	2A Max	Over Power Protection:	Built in constant voltage, constant current, constant Power mode for charging
Input Frequency:	47-63Hz		
Earth Leakage Current:	0.75mA max @ 240 VAC	Input Connector:	IEC320 3 pin inlet connector
Efficiency:	85% at full load, nominal input	Output Connector:	4 pin power locking power connector.
Operating Temperature:	0-40°C ambient	Safety:	UL,cUL60950, TUV/GS(EN60950),CCC
Cooling:	Integral long life ball bearing fan	EMC:	Meets FCC'B' & EN55022'B'

Output Voltage & Current Rating Chart - PSG80-150 Series			
Part Number	Power	O/P Voltage	O/P Current
PSG80-12-01	80W	12V	6.66A
PSG90-15-01	90W	15V	6A
PSG90-19-01	90W	19V	4.73A
PSG90-24-01	90W	24V	3.75A
PSG100-19-01	100W	19V	5.26A
PSG100-24-01	100W	24V	4.17A
PSG100-48-01	100W	48V	2.08A
PSG120-12-01	120W	12V	10.0A
PSG120-15-01	120W	15V	8.0A
PSG120-19-01	120W	19V	6.32A
PSG120-24-01	120W	24V	5.0A
PSG150-15-01	150W	15V	10.0A
PSG150-19-01	150W	19V	7.89A
PSG150-24-01	150W	24V	6.25A

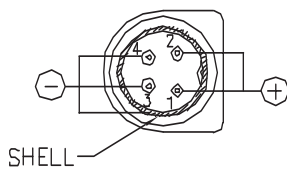
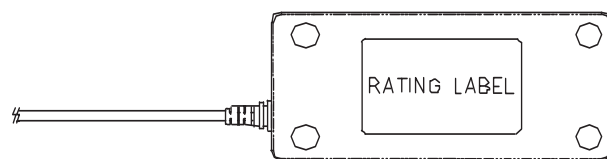
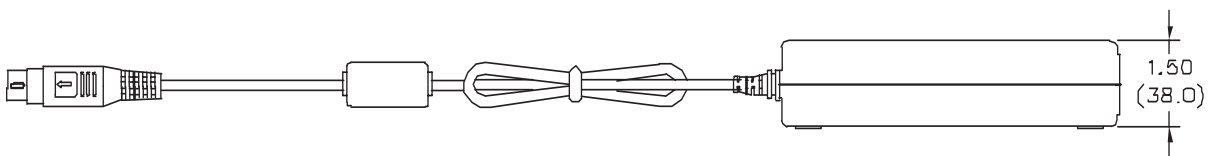
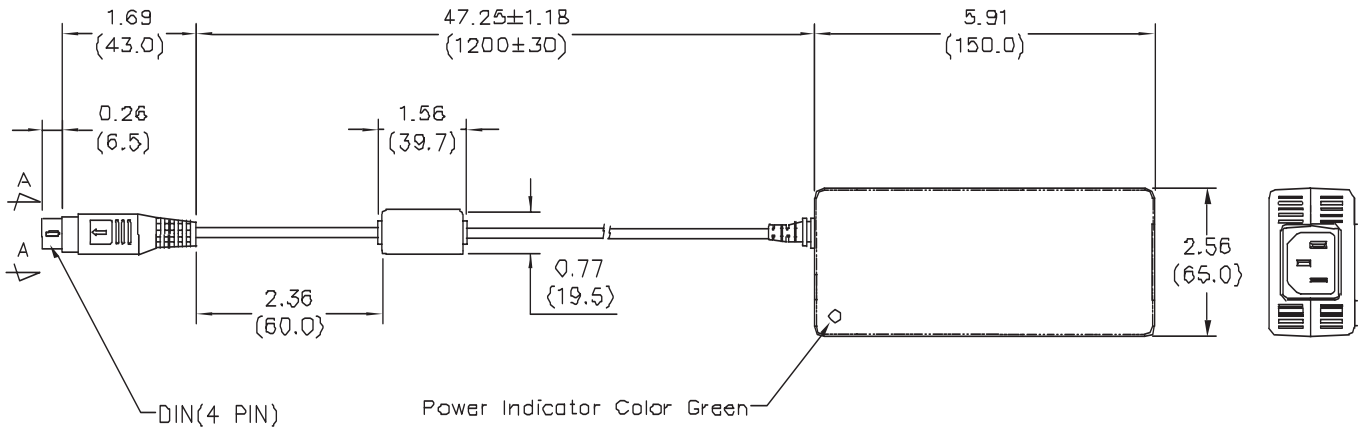
Options: Alternative output connectors available, but may be subject to minimum order quantity.

Email: sales@powersolve.com.tw

Desk Top Power Supplies



www.powersolve.com.tw



VIEW "A"

P1	P2	P3	P4	SHELL
WHITE	WHITE	BLACK	BLACK	SPIRAL
+	+	-	-	-

NOTES:

1. CASE & CABLE COLOR : BLACK
2. INLET: IEC320-C14
3. CABLE SPEC.: CABLE ARE UL/CSA 1571 14AWG 80°C 30V

Dimensions in Inches (mm)

Email: sales@powersolve.com.tw