

RoHS Compliant

REV	MODIFICATION	DATE	DRAW
A3	Release To ECN20120607	26-06-12	Michelle
A4	Release To ECN20140102	13-01-14	Michelle
A5	Release To ECN20150603	09-06-15	Michelle

Specification

- 1.Current Rating:3A AC/DC
- 2.Voltage Rating:250V AC/DC
- 3.Contact Resistance:20mΩ Max.
- 4.Insulation Resistance:1000MΩ Min. At DC 500V
- 5.Dielectric Withstanding Voltage:AC1000V/Minute
- 6.Operating Temperature:-25°C~+85°C

Material:

- 1.Housing:High Temperature Thermoplastic UL94V-0
- 2.Contact Pin:Copper Alloy SQ. Pin 0.64mm

Finish:

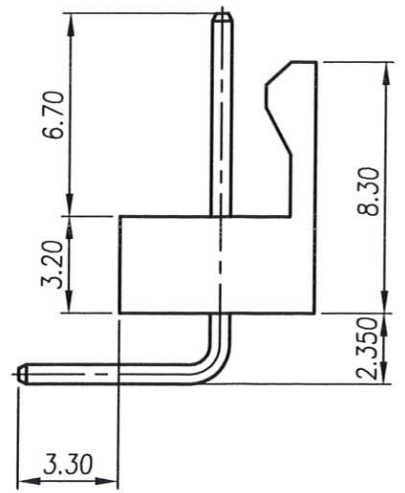
- 1.Housing: See P/N Option
- 2.Contact Pin:Bright Tin Plated Over Cu

Part No.: **4326-ZxxTxCE**

No. Of Pin
02~20

Housing Material

- R:PA66 UL94V-0 Red
- W:PA66 UL94V-0 White



PIN	DIM.A	DIM.B	PIN	DIM.A	DIM.B	PIN	DIM.A	DIM.B	PIN	DIM.A	DIM.B
02	2.54	5.10	07	15.24	17.88	12	27.94	30.64	17	40.64	43.40
03	5.08	7.68	08	17.78	20.44	13	30.48	33.20	18	43.18	45.94
04	7.62	10.24	09	20.32	23.00	14	33.02	35.74	19	45.72	48.50
05	10.16	12.78	10	22.86	25.54	15	35.56	38.30	20	48.26	51.05
06	12.70	15.24	11	25.40	28.10	16	38.10	40.84			

LEAMAX 易昕企業有限公司
LEAMAX ENTERPRISE CO.,LTD.

TOLERANCE UNLESS OTHERWISE SPECIFIED		PROJ.	TITLE: Wire To Board Wafer 2.54mm 90° DIP Short Back Board			
.X± 0.35	X.° ± 2°	APP Chen 21-09-17	DWG NO. 4326-Z04			
.XX± 0.25	.X° ± 1°	CHK Huang 01-09-17	UNITS: mm	PN: 4326-ZxxTxCE		
.XXX± 0.15	.XX° ± 0.5°	DRA Michelle 09-06-15	SIZE: A4	SCALE 4:1	SHEET 1 / 1	REV A5 V