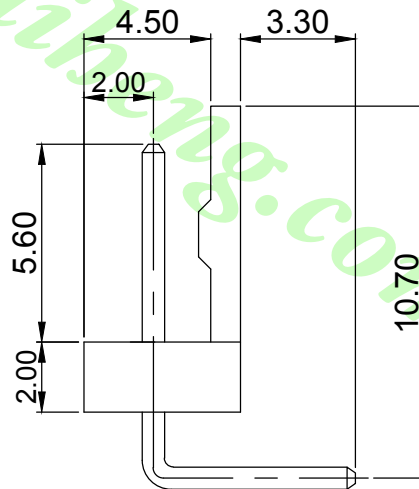
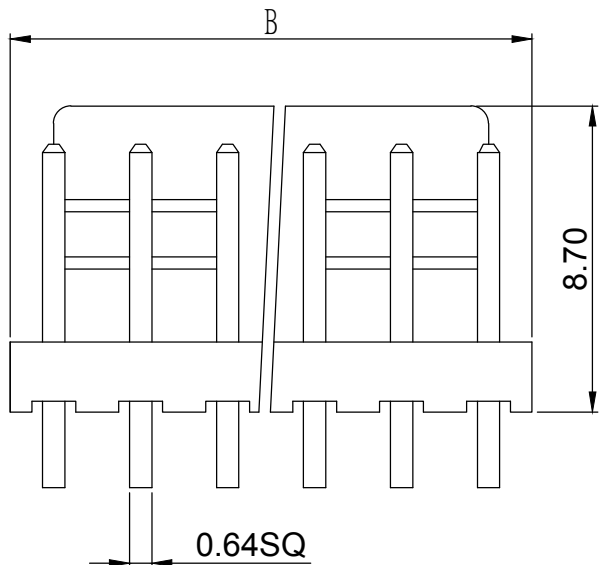


PCB LAYOUT COMPONENT SIDE



### SPECIFICATIONS

Current rating : 2A AC,DC

Voltage rating : 250V AC,DC

Temperature range : -25°C to +85 °C

Contact resistance : 20mΩ Max.

Insulation resistance : 1000MΩ Min.

Withstanding voltage : 800V AC/minute

Terminal Material : Brass/ Tin-plated

Material : Nylon 66, UL94V-2

### Ordering Information & Dimensions

Poles	Dimension (mm)		Part No.
	A	B	
02	2.50	5.10	LW-DP250R-02
03	5.00	7.60	LW-DP250R-03
04	7.50	10.10	LW-DP250R-04
05	10.00	12.60	LW-DP250R-05
06	12.50	15.10	LW-DP250R-06
07	15.00	17.60	LW-DP250R-07
08	17.50	20.10	LW-DP250R-08
09	20.00	22.60	LW-DP250R-09
10	22.50	25.10	LW-DP250R-10

**PART NO.:**  
**LW-DP 250 R - XX**

No.Of Contact:02~10  
Angle Type:Right Angle (90°)  
Pitch:2.50mm  
Wafer Series No.

			公差/UNLESS OTHERWISE SPECIFIED TOLERANCES ARE	單位/Unit mm	品名(Title) :
A0	NEW DRAWING	2018.08.16	X.XX ±0.2 X.X ±0.3	比例/Scale Free	2.5mm Wire-to-Board Header DIP 90° Type
REV	概述/REVISION	日期/DATE		Size A4	料號/Part No : LW-DP250R-XX

			公差/UNLESS OTHERWISE SPECIFIED TOLERANCES ARE	單位/Unit mm	品名(Title) :
A0	NEW DRAWING	2018.08.16	X.XX ±0.2 X.X ±0.3	比例/Scale Free	2.5mm Wire-to-Board Header DIP 90° Type
REV	概述/REVISION	日期/DATE		Size A4	料號/Part No : LW-DP250R-XX

			公差/UNLESS OTHERWISE SPECIFIED TOLERANCES ARE	單位/Unit mm	品名(Title) :
A0	NEW DRAWING	2018.08.16	X.XX ±0.2 X.X ±0.3	比例/Scale Free	2.5mm Wire-to-Board Header DIP 90° Type
REV	概述/REVISION	日期/DATE		Size A4	料號/Part No : LW-DP250R-XX

			公差/UNLESS OTHERWISE SPECIFIED TOLERANCES ARE	單位/Unit mm	品名(Title) :
A0	NEW DRAWING	2018.08.16	X.XX ±0.2 X.X ±0.3	比例/Scale Free	2.5mm Wire-to-Board Header DIP 90° Type
REV	概述/REVISION	日期/DATE		Size A4	料號/Part No : LW-DP250R-XX

			公差/UNLESS OTHERWISE SPECIFIED TOLERANCES ARE	單位/Unit mm	品名(Title) :
A0	NEW DRAWING	2018.08.16	X.XX ±0.2 X.X ±0.3	比例/Scale Free	2.5mm Wire-to-Board Header DIP 90° Type
REV	概述/REVISION	日期/DATE		Size A4	料號/Part No : LW-DP250R-XX

			公差/UNLESS OTHERWISE SPECIFIED TOLERANCES ARE	單位/Unit mm	品名(Title) :
A0	NEW DRAWING	2018.08.16	X.XX ±0.2 X.X ±0.3	比例/Scale Free	2.5mm Wire-to-Board Header DIP 90° Type
REV	概述/REVISION	日期/DATE		Size A4	料號/Part No : LW-DP250R-XX



**鍊亨電子有限公司**  
LAI HENG TECHNOLOGY LTD.  
TEL:(02) 8228-6487 FAX:(02) 8228-6486

核對/APPD. 7/0	審核/CHKD. Joe	製圖/DR. Mandy	張數/Sheet 1 of 1	REV. A0
--------------	--------------	--------------	-----------------	---------