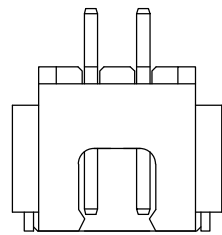
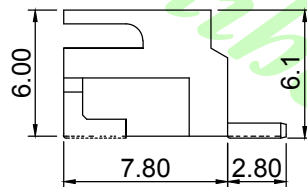
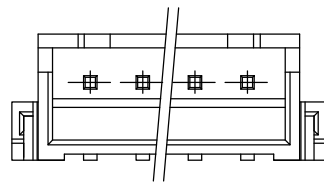
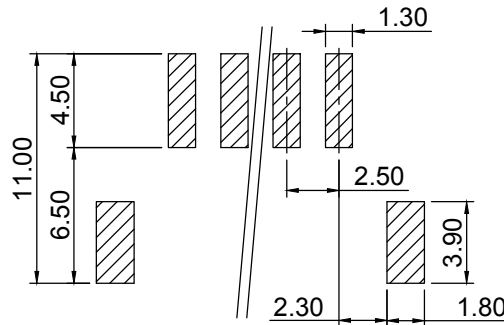
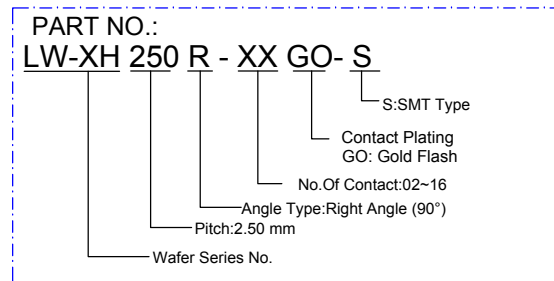


3P-16P



2P



Specifications

Current Rating: 3A AC, DC
 Voltage Rating: 250V AC Maximum
 Operating Temp: -25°C ~ +85°C
 Contact Resistance: 10mΩ Max
 Insulation Resistance: 1000MΩ Min
 Withstanding voltage: 1000V AC / minute
 Terminal Material: Brass / Gold Flash
 Material: Nylon 6T, UL94V-0
 Solder Tab: Brass / Tin Plated

| Poles | Dimension mm | | Part No. |
|-------|--------------|------|------------------|
| | A | B | |
| 02 | 2.5 | 10.0 | LW-XH250R-02GO-S |
| 03 | 5.0 | 12.5 | LW-XH250R-03GO-S |
| 04 | 7.5 | 15.0 | LW-XH250R-04GO-S |
| 05 | 10.0 | 17.5 | LW-XH250R-05GO-S |
| 06 | 12.5 | 20.0 | LW-XH250R-06GO-S |
| 07 | 15.0 | 22.5 | LW-XH250R-07GO-S |
| 08 | 17.5 | 25.0 | LW-XH250R-08GO-S |
| 09 | 20.0 | 27.5 | LW-XH250R-09GO-S |
| 10 | 22.5 | 30.0 | LW-XH250R-10GO-S |
| 11 | 25.0 | 32.5 | LW-XH250R-11GO-S |
| 12 | 27.5 | 35.0 | LW-XH250R-12GO-S |
| 13 | 30.0 | 37.5 | LW-XH250R-13GO-S |
| 14 | 32.5 | 40.0 | LW-XH250R-14GO-S |
| 15 | 35.0 | 42.5 | LW-XH250R-15GO-S |
| 16 | 37.5 | 45.0 | LW-XH250R-16GO-S |

| | | | | |
|--|-------------|------------|------------------------------|---|
| 公差/UNLESS OTHERWISE SPECIFIED TOLERANCES ARE | | | 單位/Unit mm | 品名(Title): |
| .XX ±0.25 | | | 比例/Scale Free | 2.5mm Wire-to-Board Header SMT DIP 90° Type |
| .X ±0.35 | | | Size A4 | 料號/Part No: LW-XH250R-XXGO-S |
| A0 | NEW DRAWING | 2018.08.16 | 圖號/Drawing No: 2501J-XX-RG-S | |
| REV | 概述/REVISION | 日期/DATE | | |

鍊亨電子有限公司
 LAI HENG TECHNOLOGY LTD.
 TEL: (02) 8228-6487 FAX: (02) 8228-6486

核對/APPD: Joe 審核/CHKD: Joe 製圖/DR: Mandy 張數/Sheet: 1 of 1