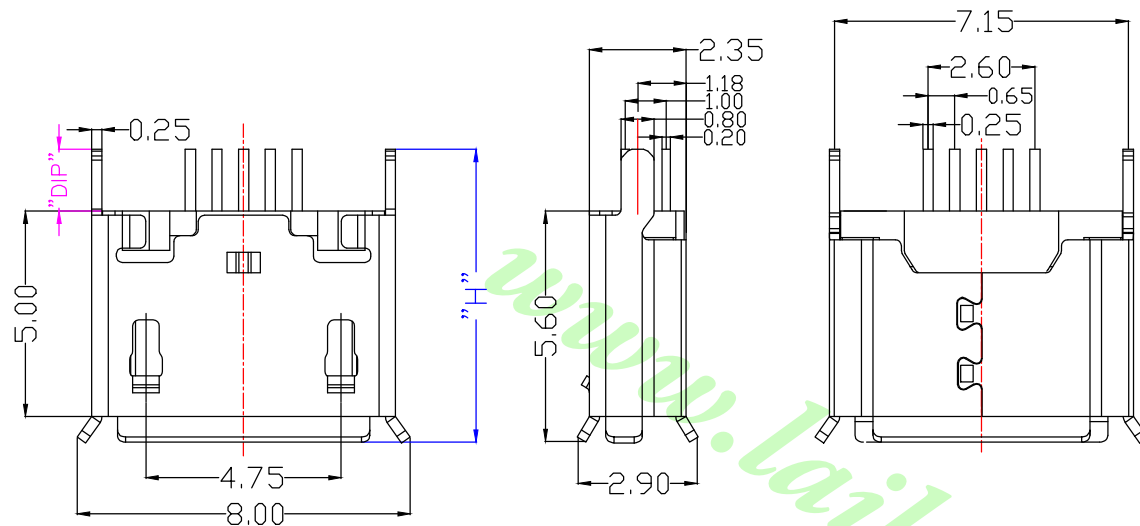


RoHS



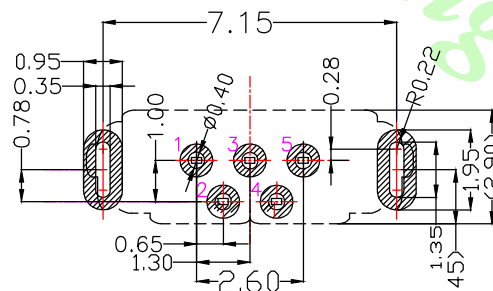
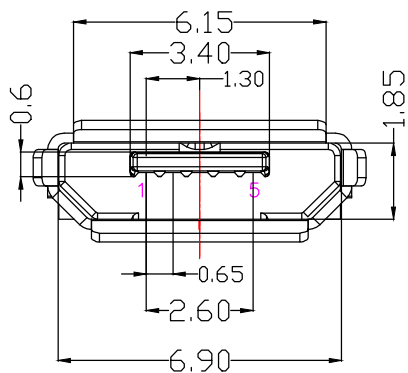
**MATERIALS**

HOUSING: LCP+30% G.F BLACK (UL 94V-0)  
 SHELL: SUS201, MATTE TIN PLATING  
 TERMINAL: COPPER ALLOY, GOLD PLATED OVER ALL

**SPECIFICATION**

CURRENT RATING: 1 AMP MAX  
 DIELECTRIC WITHSTANDING: 500V AC FOR ONE MINUTE  
 CONTACT RESISTANCE: 30m OHMS MAX  
 INSULATION RESISTANCE: 1000M OHMS MIN AT DC 100V  
 OPERATION TEMPERATURE: -25°C~+105°C

CONTACT NUMBER	SIGNAL NAME
PIN 1	VBUS
PIN 2	D-
PIN 3	D+
PIN 4	ID
PIN 5	GND



**RECOMMENDED P.C.B LAYOUT**

**PART NUMBER**

LMCUB-22PMH 0 5 1 0 1 2 3 L \*

SERIES: L  
 NO. OF POS.: 5  
 CONTACT PLATED OPTION: 1: GOLD FLASH  
 TAPE REEL PACKAGE

FEATURE:  
 0: DIP=1.50MM H=7.15MM  
 1: DIP=2.00MM H=7.60MM\*

公差/UNLESS OTHERWISE SPECIFIED TOLERANCES ARE			單位/Unit mm	品名/Title :	鍊亨電子有限公司 LAI HENG TECHNOLOGY LTD. TEL:(02) 8228-6487 FAX:(02) 8228-6486
.X ±0.30			比例/Scale	MICRO USB B TYPE, PCB MOUNT, METAL SHIELD , FEMALE VERTICAL DIP	
.XX ±0.20			Free	料號/Part No :	核加/APPD. 7/0 審核/CHKD. Joe 製圖/DR. Mandy 張數/Sheet 1 of 1 REV. A0
.XXX ±0.10			Size A4	LMCUB-22PMH0510123L	
REV	概述/REVISION	日期/DATE	ANG. ±3°	圖號/Drawing No :	22PM-004
A0	NEW DRAWING	2018.09.25			