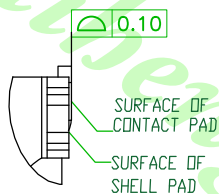
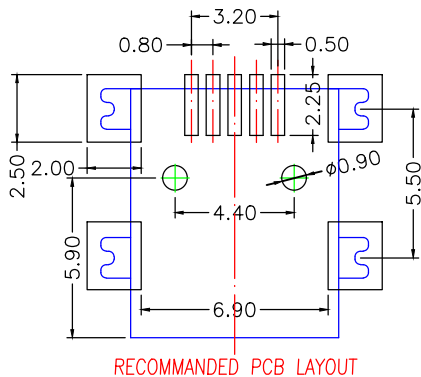
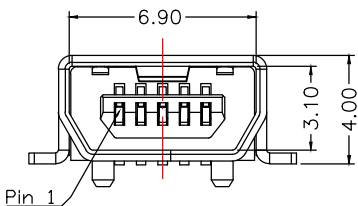
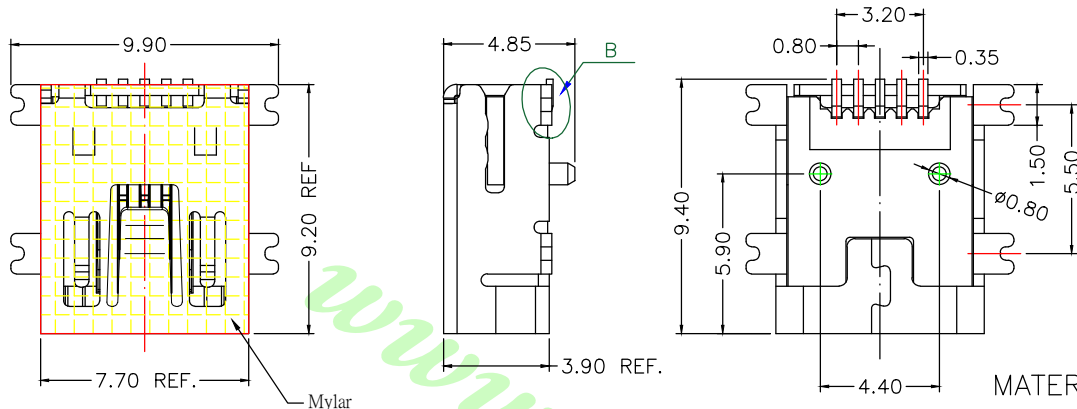


RoHS



DETAIL B  
SCALE 2/1

MATERIALS

HOUSING: LCP+30%G.F,UL94V-0,BLACK  
SHELL: COPPER ALLOY, NICKEL PLATING  
TERMINAL: COPPER ALLOY, NICKEL PLATED UNDER OVER ALL GOLD PLATED ON CONTACT AREA, TIN PLATED ON SOLDER TAIL  
MYLAR: POLYIMIDE TAPE

SPECIFICATION


CURRENT RATING: 1 AMP MAX  
DIELECTRIC WITHSTANDING: 100V AC FOR ONE MINUTE  
CONTACT RESISTANCE: 50m OHMS MAX  
INSULATION RESISTANCE: 100M OHMS MIN AT DC 100V  
OPERATION TEMPERATURE: -25°C~+85°C

PART NUMBER

LMNUB22MCH - 0 5 1 T 1 2 8 L

SERIES ————  
NO. OF POS. ————  
CONTACT PLATED OPTION ————  
1: GOLD FLASH  
6: 30u" GOLD

————— TAPE REEL PACKAGE  
————— TIN PLATING ON SOLDER TAIL

			公差/UNLESS OTHERWISE SPECIFIED TOLERANCES ARE	單位/Unit mm	品名/Title :	 <b>鍊亨電子有限公司</b> LAI HENG TECHNOLOGY LTD. TEL:(02) 8228-6487 FAX:(02) 8228-6486				
			.X ±0.30	比例/Scale	MINI USB A/B TYPE, PCB MOUNT, SMT, METAL SHIELD					
A0	NEW DRAWING	2018.09.25	.XX ±0.20	Free	, FEMALE, WITH POST&MYLAR (T&R Package)	核加/APPD.	審核/CHKD.	製圖/DR.	張數/Sheet	REV.
REV	概述/REVISION	日期/DATE	.XXX ±0.10	Size A4	料號/Part No :	740	Joe	Mandy	1 of 1	A0
					圖號/Drawing No :					
					LMNUB-22MCH051T128L	22MC-009				