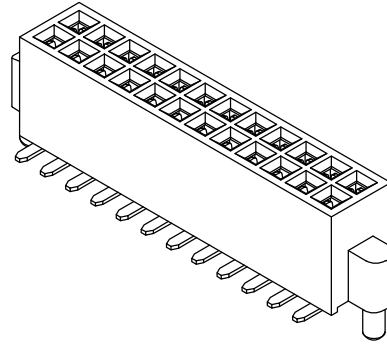
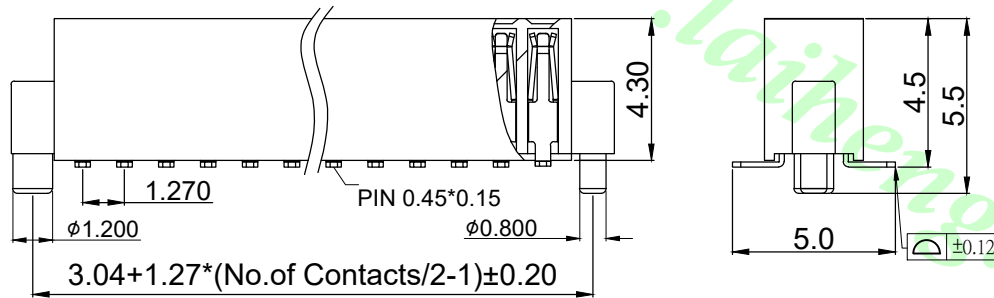
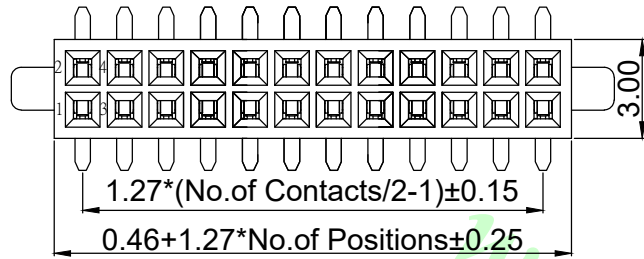


RoHS



Specifications

Current Rating : 1 Amp
 Insulator Resistance : 1000 Megohms Min.
 Contact Resistance : 20 m ohms max.
 Dielectric Withstanding : AC 500 V
 Operating Temperature : -40°C ~ +105°C
 Soldering Temperature : 260°C for 3~5sec Max.
 Contact Material : Phosphor Bronze.
 Standard : Gold Flash all over
 Insulator Material : Polyester, UL 94V-0
 Standard : LCP (BLACK)



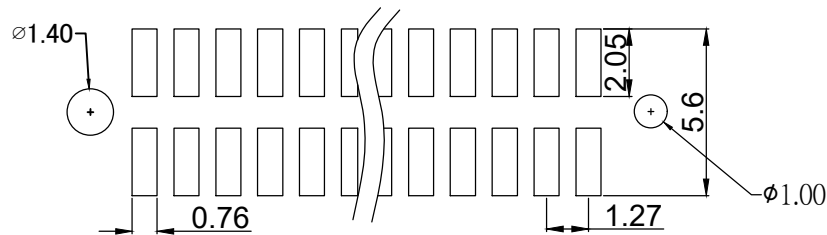
ORDER INFORMATION

LPCB 127 B T G C - 5 - 2xXX - SP


Pitch: 1.27mm
 Insulation Height: 4.3mm
 Width: 3.0mm
 TYPE T: SMT
 Contact Plating
 T : Tin
 G : Gold Flash
 G2 : Gold 2u"

SMT: 5.0mm
 Material
 C: LCP
 N: NYLON 6T

No. Of Contact
 Dual Row: 2x02~2x40
 Other
 SP: Size Positioning Columns (大小定位柱)



P. C. B Layout

		公差/UNLESS OTHERWISE SPECIFIED TOLERANCES ARE		單位/Unit mm	品名(Title):	 鍊亨電子有限公司 LAI HENG TECHNOLOGY LTD. TEL: (02) 8228-6487 FAX: (02) 8228-6486
		X. ± 0.5 X° $\pm 3^\circ$.X ± 0.3 .X° $\pm 2^\circ$.XX ± 0.2 .XX° $\pm 1^\circ$.XXX ± 0.1 .XXX° $\pm 0.5^\circ$		比例/Scale Free	1.27*1.27mm Female Header H:4.3 W:3.0 SMT Dual Row With Size Positioning Columns(大小定位柱)	
A0	NEW DRAWING	2019.09.02		Size A4	料號/Part No:	核對/APPD. 740
REV	概述/REVISION	日期/DATE			LPCB127BTG C-5-2*XX-SP	圖號/Drawing No: MF127F55XX-2XX-ST
						製圖/DR. Mandy
						報數/Sheet 1 of 1
						REV. A0