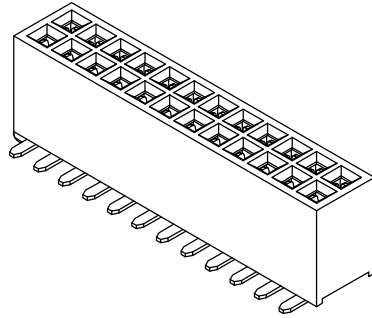
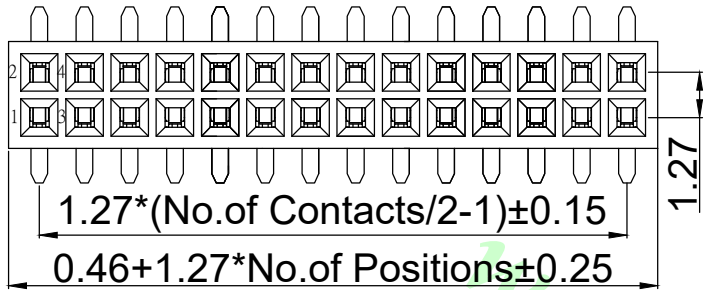
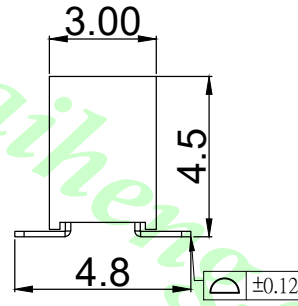
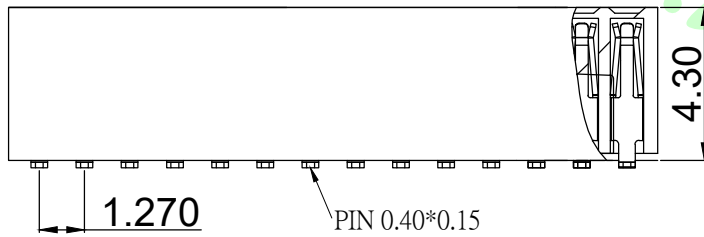


RoHS



Specifications

Current Rating : 1 Amp
 Insulator Resistance : 1000 Megohms Min.
 Contact Resistance : 20 m ohms max.
 Dielectric Withstanding : AC 500 V
 Operating Temperature : -40°C ~ +105°C
 Soldering Temperature : 260°C for 3~5sec Max.
 Contact Material : Phosphor Bronze.
 Standard : Gold Flash all over
 Insulator Material : Polyester, UL 94V-0
 Standard : LCP (BLACK)



ORDER INFORMATION

LPCB 127 B T G C - 4.8 - 2xXX

Pitch: 1.27mm

SMT: 4.8mm

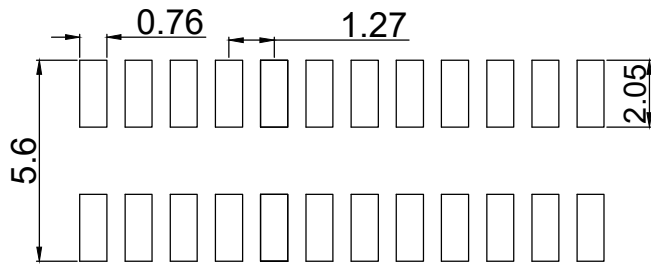
Insulation
 Height: 4.3mm
 Width: 3.0mm

No. Of Contact
 Dual Row: 2x02~2x40


Material
 C: LCP
 N: NYLON 6T

TYPE T: SMT

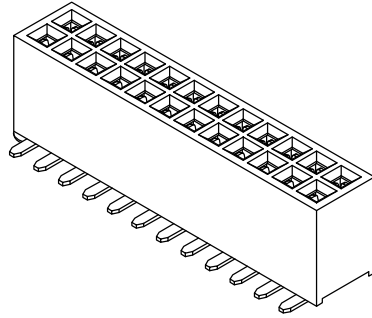
Contact Plating
 T : Tin
 G : Gold Flash
 G2 : Gold 2u"



P. C. B Layout

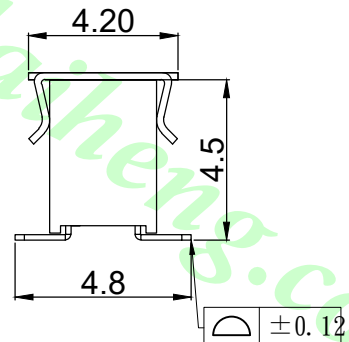
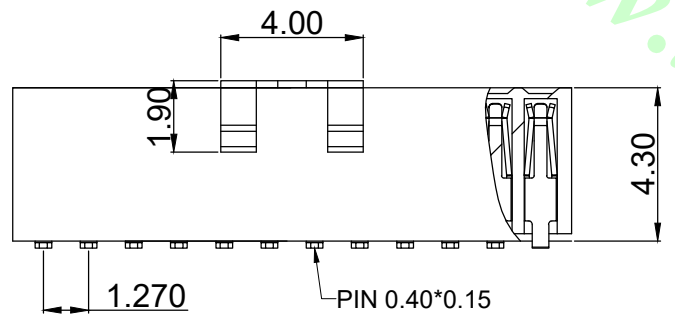
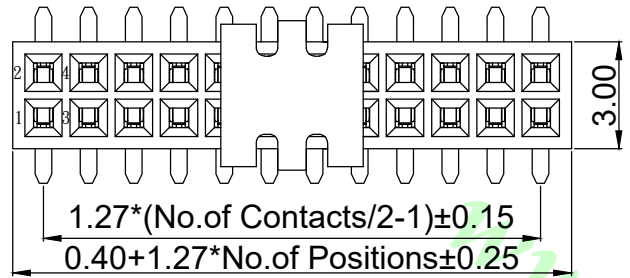
| | | | | | | | | |
|-----|-------------|------------|---|-----------------------|---------------|--|--|--------------|
| | | | 公差/UNTLESS OTHERWISE SPECIFIED TOLERANCES ARE | | 單位/Unit mm | 品名(Title): |  鍊亨電子有限公司 LAI HENG TECHNOLOGY LTD. TEL: (02) 8228-6487 FAX: (02) 8228-6486 | |
| | | | X. ±0.5 X° ±3° | | 比例/Scale Free | 1.27*1.27mm Female Header H:4.3 W:3.0 SMT Type Dual Row | | |
| A0 | NEW DRAWING | 2019.09.02 | .X ±0.3 .X° ±2° | | Size A4 | 料號/Part No: | 圖號/Drawing No: | 核對/APPD. 740 |
| REV | 概述/REVISION | 日期/DATE | .XX ±0.2 .XX° ±1° | .XXX ±0.1 .XXX° ±0.5° | | LPCB127BTG C-4.8-2×XX | MF127FS1GX-2XX-X | 製圖/DR. Mandy |
| | | | | | | 報數/Sheet 1 of 1 | | REV. A0 |

RoHS



Specifications

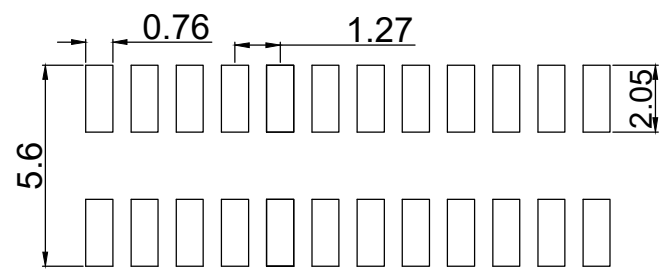
Current Rating : 1 Amp
 Insulator Resistance : 1000 Megohms Min.
 Contact Resistance : 20 m ohms max.
 Dielectric Withstanding : AC 500 V
 Operating Temperature : -40°C ~ +105°C
 Soldering Temperature : 260°C for 3~5sec Max.
 Contact Material : Phosphor Bronze.
 Standard : Gold Flash all over
 Insulator Material : Polyester, UL 94V-0
 Standard : LCP (BLACK)



ORDER INFORMATION

LPCB 127 B T G C - 4.8 - 2xXX - I
 Pitch: 1.27mm
 Insulation
 Height: 4.3mm
 Width: 3.0mm
 TYPE T: SMT
 Contactn Plating
 T : Tin
 G : Gold Flash
 G2 : Gold 2u"

SMT: 4.8mm
 No. Of Contact
 Dual Row: 2x02~2x40
 Material
 C: LCP
 N: NYLON 6T
 other I: Metal Cap



P. C. B Layout

| | | | | | | |
|--|-------------|------------|------------|---|--|---|
| 公差/UNLESS OTHERWISE SPECIFIED TOLERANCES ARE | | | 單位/Unit mm | 品名(Title): | 鍊亨電子有限公司 LAI HENG TECHNOLOGY LTD. TEL: (02) 8228-6487 FAX: (02) 8228-6486 | |
| X. ±0.5 X° ±3° | | | 比例/Scale | 1.27*1.27mm Female Header H:4.3 W:3.0 SMT Type Dual Row ,Metal Cap | | 核准/APPD. <i>Zho</i> 審核/CHKD. <i>Joe</i> 製圖/DR. <i>Mandy</i> 報數/Sheet 1 of 1 |
| .X ±0.3 .X° ±2° | | | Free | 料號/Part No: | 圖號/Drawing No: | |
| .XX ±0.2 .XX° ±1° | | | Size A4 | LPCB127BTG C-4.8-2×XX-I | | REV. A0 |
| .XXX ±0.1 .XXX° ±0.5° | | | | | | |
| A0 | NEW DRAWING | 2019.09.02 | | | | |
| REV | 概述/REVISION | 日期/DATE | | | | |