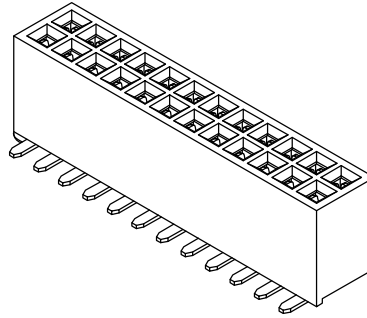
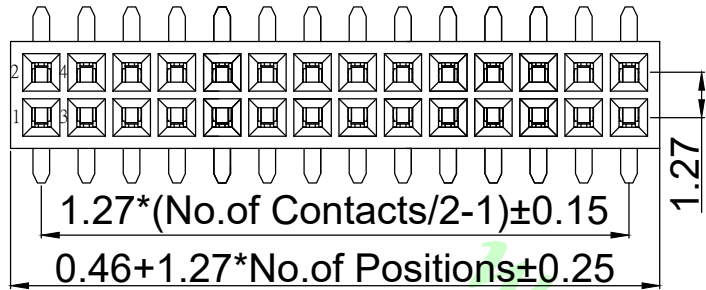
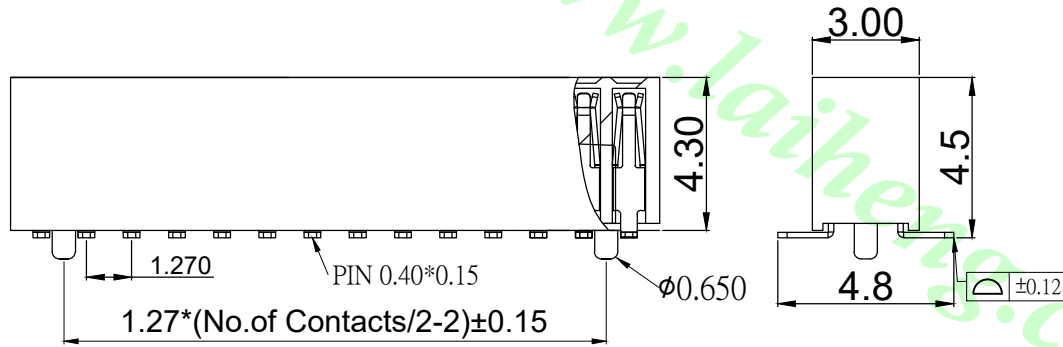


RoHS



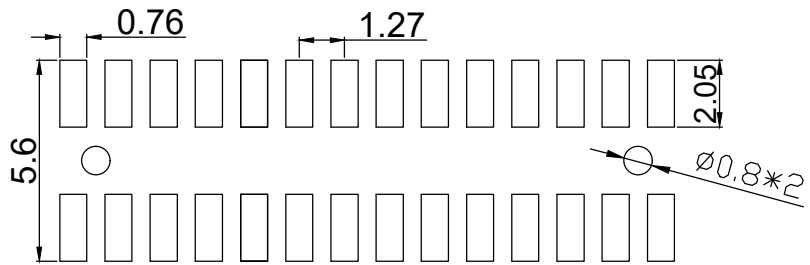
Specifications

| | |
|-------------------------|-------------------------|
| Current Rating | : 1 Amp |
| Insulator Resistance | : 1000 Megohms Min. |
| Contact Resistance | : 20 m ohms max. |
| Dielectric Withstanding | : AC 500 V |
| Operating Temperature | : -40°C ~ +105°C |
| Soldering Temperature | : 260°C for 3~5sec Max. |
| Contact Material | : Phosphor Bronze. |
| Standard | : Gold Flash all over |
| Insulator Material | : Polyester, UL 94V-0 |
| Standard | : LCP (BLACK) |



ORDER INFORMATION

| | | | | | | | | |
|------|-----------------|---|---|---|---|-------------|---------------------|---------------|
| LPCB | 127 | B | T | G | C | - 4.8 | - 2xXX | - P |
| | Pitch: 1.27mm | | | | | SMT: 4.8mm | No. Of Contact | other P: Pegs |
| | Insulation | | | | | | Dual Row: 2x02~2x40 | |
| | Height: 4.3mm | | | | | Material | | |
| | Width: 3.0mm | | | | | C: LCP | | |
| | TYPE T: SMT | | | | | N: NYLON 6T | | |
| | Contact Plating | | | | | | | |
| | T : Tin | | | | | | | |
| | G : Gold Flash | | | | | | | |
| | G2 : Gold 2u" | | | | | | | |

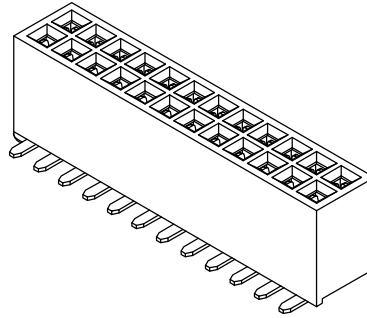
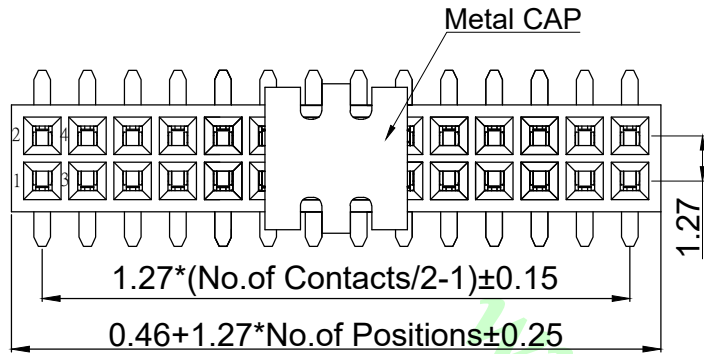


P. C. B Layout

| | | | | | | | |
|-----|-------------|------------|--|--------------|-------------------|---------------------------------------|--|
| | | | 公差/UNLESS OTHERWISE SPECIFIED TOLERANCES ARE | | 單位/Unit mm | 品名(Title): | |
| | | | X. ±0.5 X° ±3° | | Free | 1.27*1.27mm Female Header H:4.3 W:3.0 | |
| | | | .X ±0.3 .X° ±2° | | 比例/Scale | SMT Type Dual Row ,With Pegs | |
| | | | .XX ±0.2 .XX° ±1° | | Size | 料號/Part No : | |
| | | | .XXX ±0.1 .XXX° ±0.5° | | A4 | LPCB127BTG C-4.8-2×XX-P | |
| A0 | NEW DRAWING | 2019.09.02 | | | 圖號/Drawing No : | | |
| REV | 概述/REVISION | 日期/DATE | | | MF127FS1GX-2XX-PT | | |
| | | | | 核對/APPD. 740 | | 製圖/DR. Mandy | |
| | | | | 審核/CHKD. Joe | | 報數/Sheet 1 of 1 | |
| | | | | REV. A0 | | | |

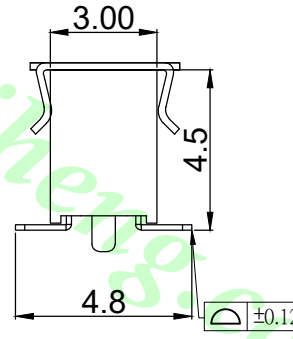
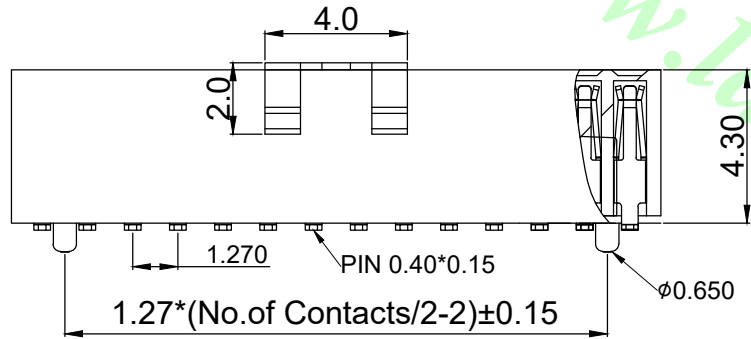
鍊亨電子有限公司
LAI HENG TECHNOLOGY LTD.
TEL: (02) 8228-6487 FAX: (02) 8228-6486

RoHS



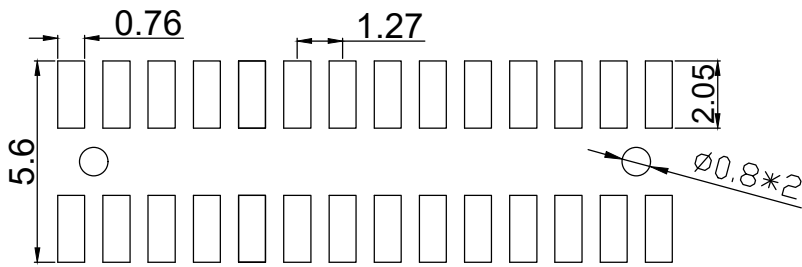
Specifications

| | |
|-------------------------|-------------------------|
| Current Rating | : 1 Amp |
| Insulator Resistance | : 1000 Megohms Min. |
| Contact Resistance | : 20 m ohms max. |
| Dielectric Withstanding | : AC 500 V |
| Operating Temperature | : -40°C ~ +105°C |
| Soldering Temperature | : 260°C for 3~5sec Max. |
| Contact Material | : Phosphor Bronze. |
| Standard | : Gold Flash all over |
| Insulator Material | : Polyester, UL 94V-0 |
| Standard | : LCP (BLACK) |



ORDER INFORMATION

| | | | | | | | | |
|---|---|---|---|--|---|---------------------------------------|---|----------------------------------|
| LPCB 127 | B | T | G | C - 4.8 | - | 2xXX | - | PI |
| Pitch: 1.27mm | | | | SMT: 4.8mm | | No. Of Contact Dual Row: 2x02~2x40 | | other P: Pegs I: Metal Cap |
| Insulation Height: 4.3mm Width: 3.0mm | | | | Material C: LCP N: NYLON 6T | | | | |
| TYPE T: SMT | | | | Contactn Plating T : Tin G : Gold Flash G2 : Gold 2u" | | | | |



P. C. B Layout

| | | | | | | | | | | | |
|-----|-------------|---|--|------------------|--|--|--|---|-----------------|-----------------|-----------------|
| | | 公差/UNLESS OTHERWISE SPECIFIED TOLERANCES ARE | | 單位/Unit mm | 品名(Title): 1.27*1.27mm Female Header H:4.3 W:3.0 SMT Type Dual Row ,With Pegs ,Metal CAP | | 鍊亨電子有限公司 LAI HENG TECHNOLOGY LTD. TEL: (02) 8228-6487 FAX: (02) 8228-6486 | | | | |
| | | X. ±0.5 X° ±3° .X ±0.3 .X° ±2° .XX ±0.2 .XX° ±1° .XXX ±0.1 .XXX° ±0.5° | | 比例/Scale Free | 料號/Part No: LPCB127BTG C-4.8-2×XX-PI | | | 圖號/Drawing No: MF127FS1GX-2XX-PC1 | 核對/APPD. 7/0 | 審核/CHKD. Joe | 製圖/DR. Mandy |
| A0 | NEW DRAWING | 2019.09.02 | | | | | | | | | |
| REV | 概述/REVISION | 日期/DATE | | | | | | | | | |