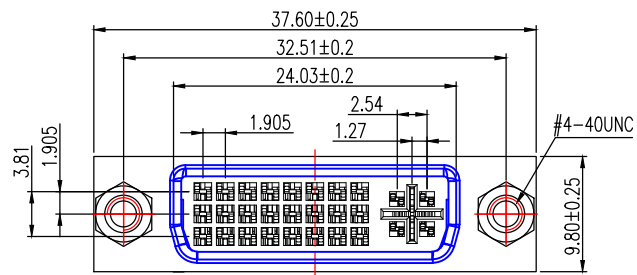


RoHS

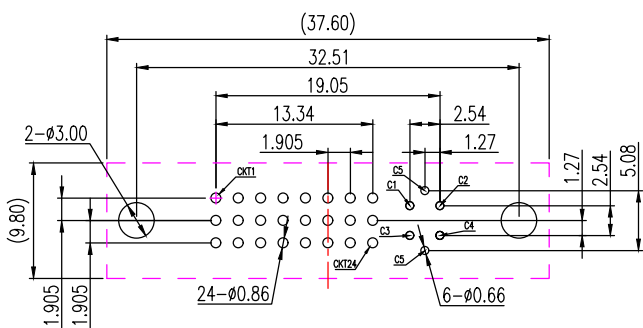
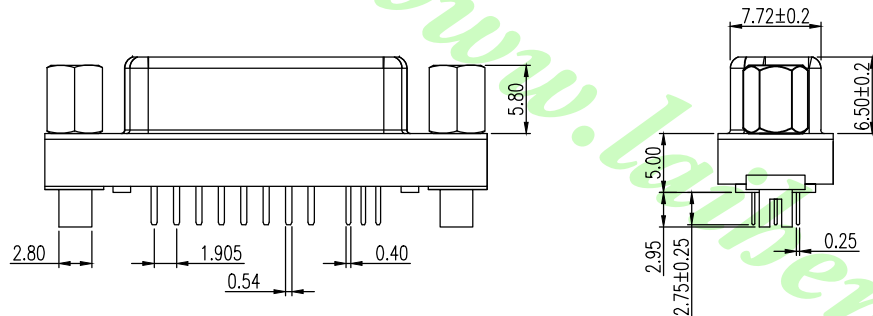


SPECIFICATIONS

1. DVI-I
- 1.1 Voltage: 40 VAC(RMS) Max.
- 1.2 Current Rating: 1.5 Ampere per Contact
- 1.3 Contact Resistance: 20 Milliohms Max.
- 1.4 Insulation Resistance: 1000 Megohms Min.
- 1.5 Dielectric Withstanding Voltage: 500V DC(RMS)
- 1.6 Total Mating Force: 4.5 Kgf Max.
- 1.7 Total Unmating Force: 1.0 Kgf Min.
- 1.8 Operating Temperature: -55°C to +85°C

NOTES

1. MATERIAL:
 - Housing:PBT, UL 94V-0, Color:Ivory.
 - Terminal:Copper Alloy(Brass).
 - Shell:SPCC
 - Boardlock:Copper Alloy.
 - Screw:Copper Alloy.
2. FINISH:
 - Terminal:Gold Flash Plated over Nickel at Contact Area.
 - Tin Plated over Nickel at Solder Ared.
 - Shell:Nickel Plated.
 - Boardlock:Tin Plated.
 - Screw:Nickel Plated.



RECOMMENDED P.C.B LAYOUT

PART NO.

LDVI29-8 V4S112AN41N0

SERIES NO.		INSULATOR MATERIALS
NUMBER OF POSITION		1: PBT
V2: 24-POSITION		2: LCP
V4: 29-POSITION		7: PA66
CONTACT STYLE		COLOR STYLE
S: SOCKET		1: ALL BLACK
CONTACT MATERIALS		4: ALL IVORY
1: BRASS		FLANGE MOUNTING OPTION
CONTACT FINISH		1: #4-40 THREADED HOLE
1: G/F BRIGHT TIN		J: #4-40 THREADED HOLE WITH #4-40UNC
2: 10u" GOLD BRIGHT TIN		SCREWLOCK INSTALLED (4.8x8.5)
3: 15u" GOLD BRIGHT TIN		K: #4-40 THREADED HOLE WITH #4-40UNC
4: 30u" GOLD BRIGHT TIN		SCREWLOCK BULK-PACKED (4.8x8.5)
5: G/F FULL GOLD		N: #4-40 THREADED HOLE WITH #4-40UNC
FRONT SHELL FINISH		SCREWLOCK INSTALLED (5.8x9.5)
1: TIN		P: #4-40 THREADED HOLE WITH #4-40UNC
2: NICKEL		SCREWLOCK BULK-PACKED (5.8x9.5)
		BOARD MOUNTING OPTION
		O: NONE
		A: RIVETED-NUT BOARDLOCK
		K: RIVETED-NUT BOARDLOCK (15.0mm)

		公差/UNLESS OTHERWISE SPECIFIED TOLERANCES ARE		單位/Unit mm	品名(Title):	鍊亨電子有限公司 LAI HENG TECHNOLOGY LTD. TEL:(02) 8228-6487 FAX:(02) 8228-6486	
		.00 = ± .25 .000 = ± .13 ANG. = ± 2°		比例/Scale Free	DVI-I Connector Straight DIP 29P (S)		
A0	NEW DRAWING	2019.02.21		Size A4	料號/Part No:	圖號/Drawing No:	核准/APPD. 7/10
REV	概述/REVISION	日期/DATE			LDVI29-8 V4S112AN41N0	DVI8V4S1X2AN41N0(036)	審核/CHKD. Joe
							製圖/DR. Mandy
							張數/Sheet 1 of 1
							REV. A0