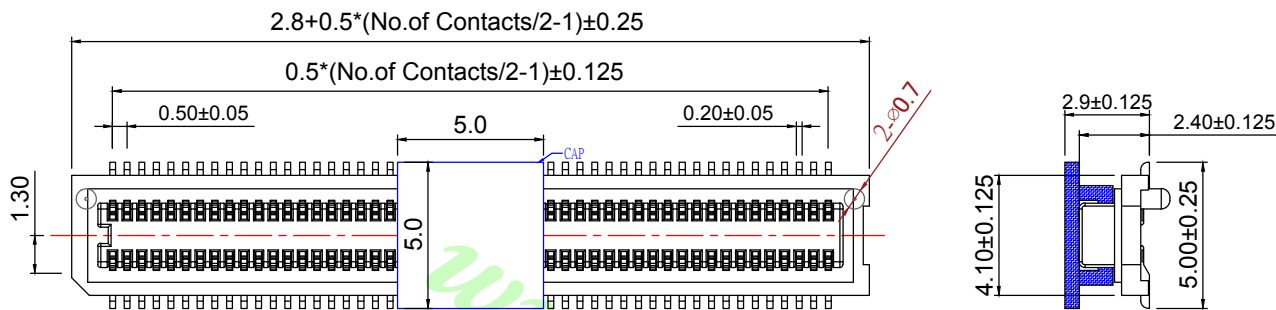


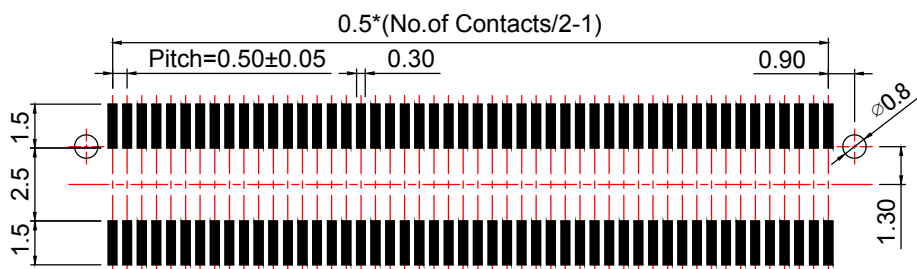
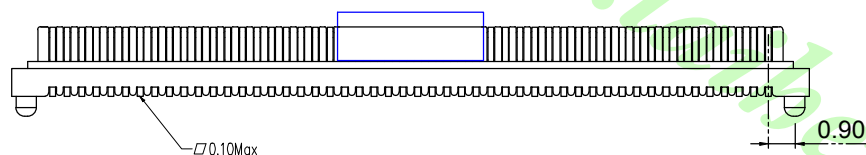
RoHS



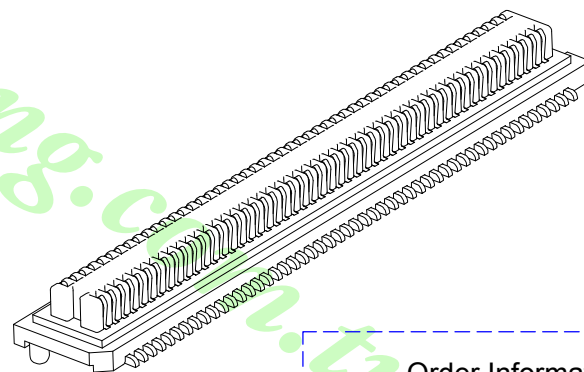
NOTE

- A. Material:
 1. Housing : Nylon-9T Halogen Free, UL94V-0, Black
 2. Contact : Copper Alloy.
 3. Plating : Gold Plating.
- B. Temperature: -55 to +125°
- C. Electrical:
 1. Voltage : 50V.
 2. Current : 0.5A.
 3. Contact Resistance : 40m Ω max.
 4. Dielectric Withstanding Voltage : 500V AC / 1 min.
 5. Insulation Resistance : 100M Ω min.

Available Pins : 20~100 Contacts



PCB Layout For Surface Mounting



Order Information:

LBTB-05M A XXX C1

BTB Connector

Pitch 0.5mm Male

C1:CAP

NO. of contacts:(020~100)

Insulation:
A:Height: 2.4mm Width: 4.10mm

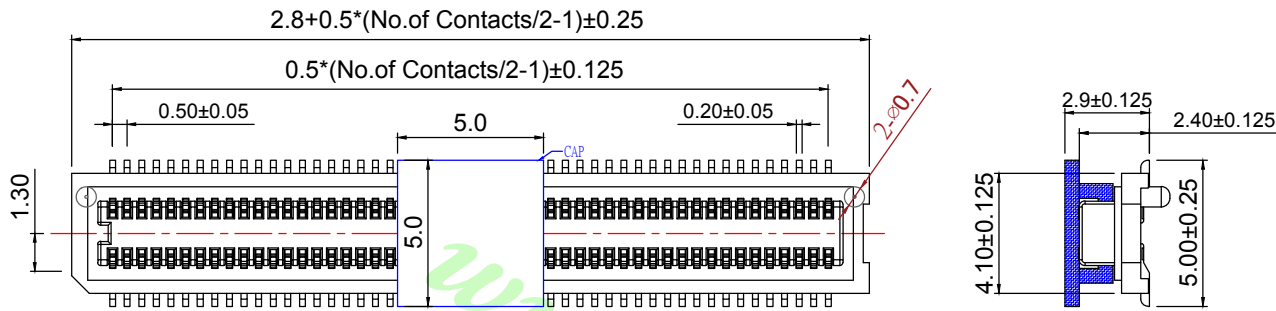
公認/UNLESS OTHERWISE SPECIFIED TOLERANCES ARE			單位/Unit mm	品名/Title :
			比例/Scale	0.50mm(0.0197") Pitch Board To Board Male Connector H=2.4mm
A0	NEW DRAWING	2019.08.20	Free	料號/Part No :
REV	概述/REVISION	日期/DATE	Size A4	LBTB-05MAXXX C1
				圖號/Drawing No :
				BTB-05M-AXXX-C1

鍊亨電子有限公司
LAI HENG TECHNOLOGY LTD.

TEL:(02) 8228-6487 FAX:(02) 8228-6486

核加/APPD.	審核/CHKD.	製圖/DR.	張數/Sheet	REV.
7/6	Joe	Mandy	1 of 1	A0

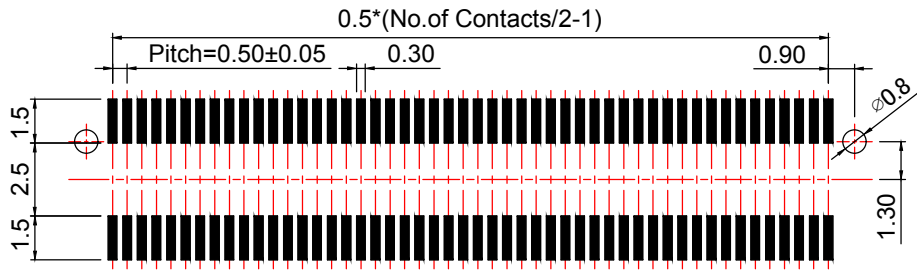
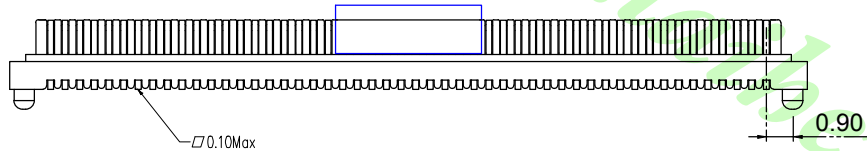
RoHS



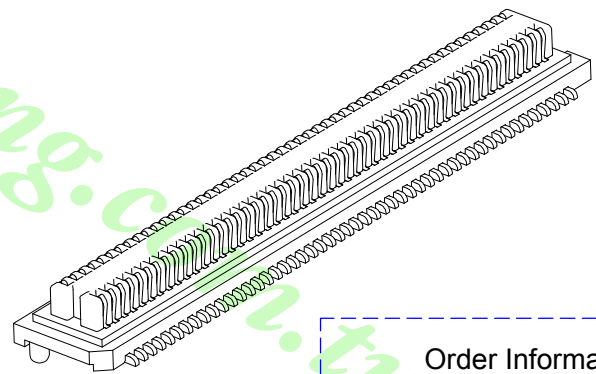
NOTE

- A. Material:
 1. Housing : Nylon-9T Halogen Free, UL94V-0, Black
 2. Contact : Copper Alloy.
 3. Plating : Gold Plating.
- B. Temperature: -55 to +125°
- C. Electrical:
 1. Voltage : 50V.
 2. Current : 0.5A.
 3. Contact Resistance : 40m Ω max.
 4. Dielectric Withstanding Voltage : 500V AC / 1 min.
 5. Insulation Resistance : 100M Ω min.

Available Pins : 20~100 Contacts



PCB Layout For Surface Mounting



Order Information:

LBTB-05M A XXX R C1

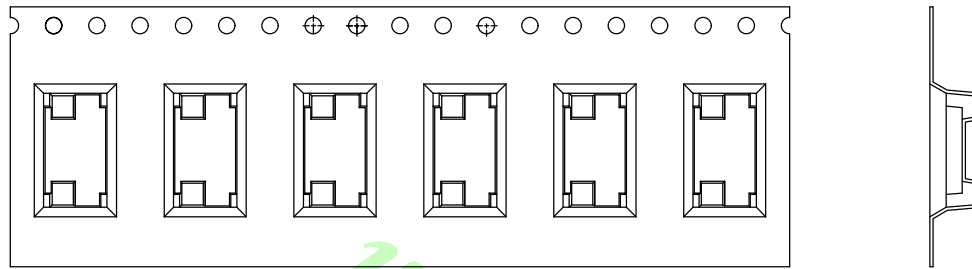
BTB Connector | Pitch 0.5mm Male | C1:CAP | R:Tape&Reel Packing | NO. of contacts:(020~100) | Insulation: A:Height: 2.4mm Width: 4.10mm

公認/UNLESS OTHERWISE SPECIFIED TOLERANCES ARE			單位/Unit mm	品名/Title :
			比例/Scale	0.50mm(0.0197") Pitch Board To Board Male Connector H=2.4mm
A0	NEW DRAWING	2019.08.20	Free	料號/Part No :
REV	概述/REVISION	日期/DATE	Size A4	LBTB-05MAXXX R C1
			圖號/Drawing No :	BTB-05M-AXXX-C1

鍊亨電子有限公司
LAI HENG TECHNOLOGY LTD.
TEL:(02) 8228-6487 FAX:(02) 8228-6486

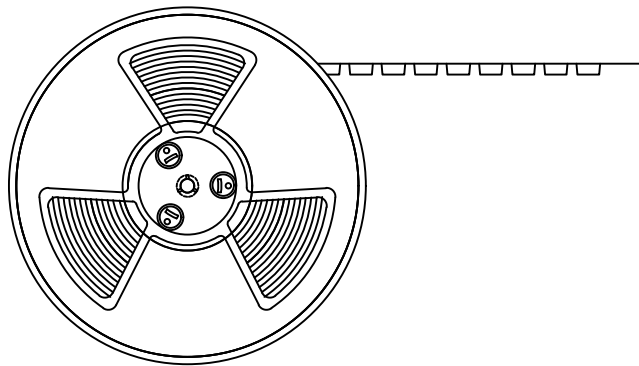
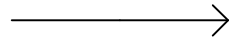
核加/APPD. 7/4 審核/CHKD. Joe 製圖/DR. Mandy 張數/Sheet 1 of 2 REV. A0

RoHS



1. 10 sprocket hole pitch cumulative tolerance $\pm 0.20\text{mm}$.
2. Carrier camber not to exceed 1mm in 250mm.
3. A_0 and B_0 measured on a plane 0.3mm above the bottom of the pocket.
4. K_0 measured from a plane on the inside bottom of the pocket to the top surface of the carrier.
5. All dimensions meet EIA-481-2A requirements.
6. Material: Black Conductive Polystyrene.
7. Thickness: $0.35 \pm 0.05 \text{ mm}$.
8. Packing length per 22" reel : 46 Meters.
9. Component loader per 13" reel : 1200pcs.

出料方向



Order Information:

LBTB-05M A XXX R C1

BTB Connector
Pitch 0.5mm Male
C1:CAP
R:Tape&Reel Packing
NO. of contacts:(020~100)
Insulation:
A:Height: 2.74mm Width: 4.10mm

		公認/UNLESS OTHERWISE SPECIFIED TOLERANCES ARE		單位/Unit mm	品名/Title :	 鍊亨電子有限公司 LAI HENG TECHNOLOGY LTD. TEL:(02) 8228-6487 FAX:(02) 8228-6486	
				比例/Scale	0.50mm(0.0197") Pitch Board To Board Male Connector Carrier		
A0	NEW DRAWING	2019.08.20	.X ± 0.30	Free	料號/Part No :	圖號/Drawing No :	核加/APPD.
REV	概述/REVISION	日期/DATE	.XX ± 0.25	Size A4	LBTB-05MAXXX R C1	BTB-05M-RC1	7/0
			.XXX ± 0.10				審核/CHKD.
							Joe
							製圖/DR.
							Mandy
							張數/Sheet
							2 of 2
							REV.
							A0