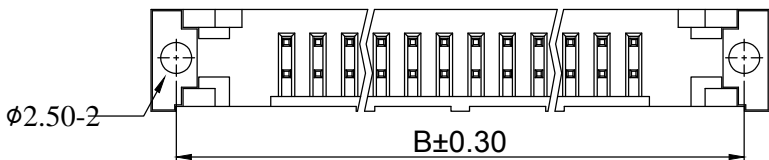
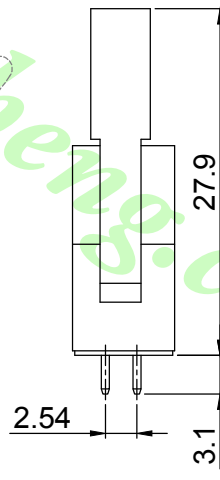
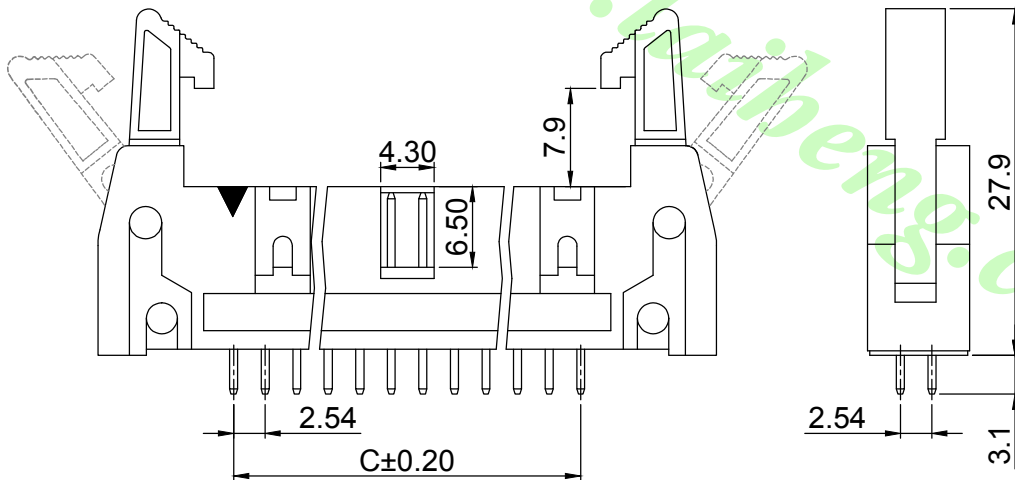
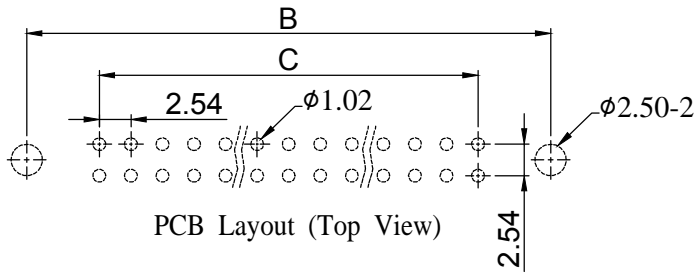


ROHS



SPECIFICATIONS

MATERIAL AND FINISH

- . Housing: PBT, UL94V-0, Color-Black.
- . Terminal: Sq 0.64mm, Brass, Gold Plating.

ELECTRICAL CHARACTERISTICS

- . Current Rating: 3 Amp. Max.
- . Dielectric Withstanding Voltage: 1000V AC RMS for 60 Seconds.

- . Insulator Resistance: 1000M Ohms Min at 1000V DC.

MECHANICAL CHARACTERISTICS

- . Operation Temperature: -55°C to +105°C.

Dimensions			
Pos.	A	B	C
10	32.00	27.94	10.16
12	34.54	30.48	12.70
14	37.08	33.02	15.24
16	39.62	35.56	17.78
20	44.70	40.64	22.86
24	49.78	45.72	27.94
26	52.32	48.26	30.48
30	57.40	53.34	35.56
34	62.48	58.42	40.64
40	70.10	66.04	48.26
50	82.80	78.74	60.96

Part No.
LBHE 254 S - XX

No. of Contacts (10~50)
 S: Straight Type (180°)
 2.54mm Pitch

			公認/UNLESS OTHERWISE SPECIFIED TOLERANCES ARE	單位/Unit mm	品名/Title :
			.X ±0.30	比例/Scale	2.54mm Box Header Ejector Type PCB Mount
A0	NEW DRAWING	2019.03.05	.XX ±0.20	Free	Vertical With Latch
REV	概述/REVISION	日期/DATE	.XXX ±0.10	Size A4	料號/Part No : LBHE254S-XX

圖號/Drawing No :	HD2203012-002XX
核加/APPD.	7/0
審核/CHKD.	Joe
製圖/DR.	Mandy
張數/Sheet	1 of 1
REV.	A0

鍊亨電子有限公司
LAI HENG TECHNOLOGY LTD.
 TEL:(02) 8228-6487 FAX:(02) 8228-6486