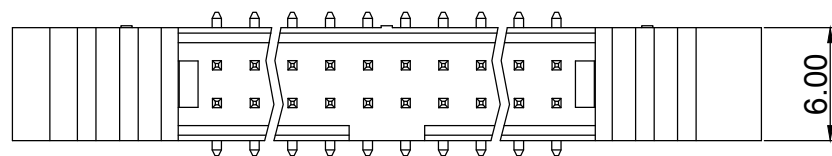


RoHS



SPECIFICATIONS

MATERIAL AND FINISH

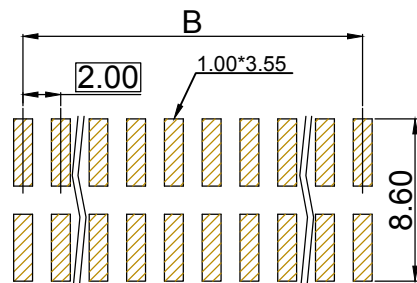
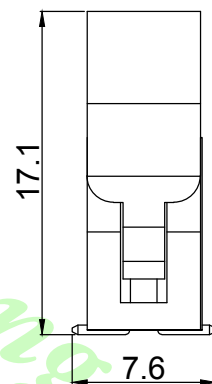
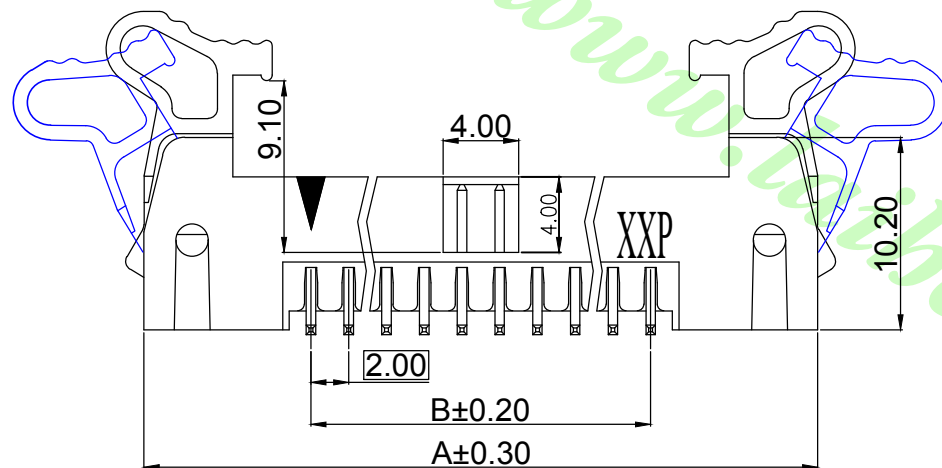
- . Housing: Nylon 6T, UL94V-0, Color-Black.
- . Terminal: Sq 0.50mm, Brass, Gold Plating.

ELECTRICAL CHARACTERISTICS

- . Current Rating: 1.0 Amp. Max.
- . Dielectric Withstanding Voltage: 800V AC RMS for 60 Seconds.
- . Insulator Resistance: 1000M Ohms Min at 500V DC.

MECHANICAL CHARACTERISTICS

- . Operation Temperature: -55°C to +105°C.



PCB Layout
(Top View)

Part No.

LBHE 200 T - XX

- No. of Contacts (10~50)
- T: SMT Type
- 2.00mm Pitch

Order Information	Dimensions		
	Pos.	A	B
LBHE200T-10	10	25.70	8.00
LBHE200T-12	12	27.70	10.00
LBHE200T-14	14	29.70	12.00
LBHE200T-16	16	31.70	14.00
LBHE200T-20	20	35.70	18.00
LBHE200T-22	22	37.70	20.00
LBHE200T-24	24	39.70	22.00
LBHE200T-26	26	41.70	24.00
LBHE200T-30	30	45.70	28.00
LBHE200T-34	34	49.70	32.00
LBHE200T-40	40	55.70	38.00
LBHE200T-44	44	59.70	42.00
LBHE200T-50	50	65.70	48.00

			公差/UNLESS OTHERWISE SPECIFIED TOLERANCES ARE	單位/Unit mm	品名/Title :
			.X ±0.30	比例/Scale	2.00mm Box Header Ejector PCB
A0	NEW DRAWING	2019.03.21	.XX ±0.20	Free	Surface Mount Type with Short Latch
REV	概述/REVISION	日期/DATE	.XXX ±0.10	Size A4	料號/Part No : LBHE200T-XX

			圖號/Drawing No :
			HD22210426-002XX

鍊亨電子有限公司
LAI HENG TECHNOLOGY LTD.

TEL:(02) 8228-6487 FAX:(02) 8228-6486

核加/APPD. 7/4 審核/CHKD. Joe 製圖/DR. Mandy 張數/Sheet 1 of 1

REV. A0