

材 質Material : Housing : High temp. thermoplastic.

Contact : Copper Alloy.

Shell : Stainless steel.

包裝數量Standard Packing : --

配合塑膠Suitable housing: UCM001-10121特B

額定電壓/電流Current Rating : AC/DC -V -A

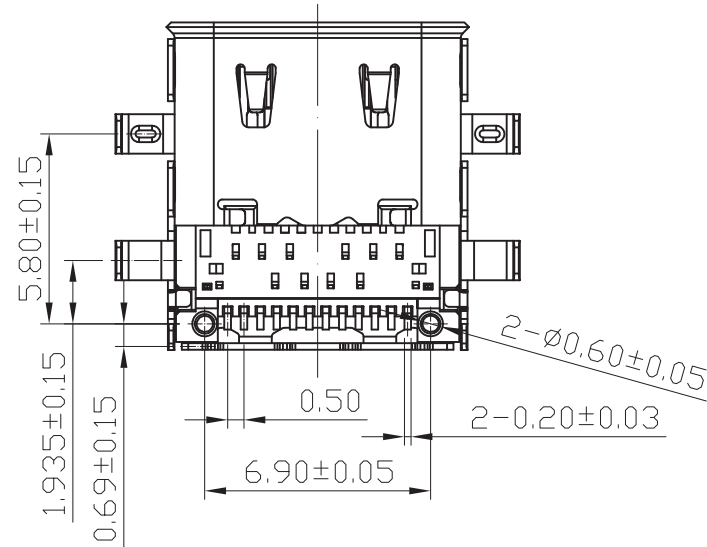
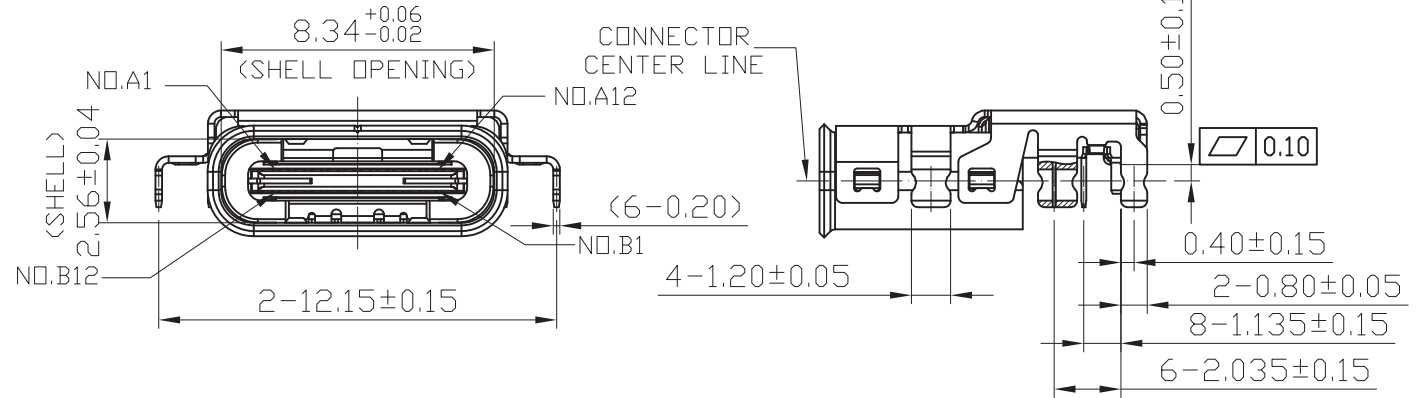
絕緣阻抗INS. Resistance : --MΩ Min.

耐電壓Withstand Voltage : --V AC/1minute.

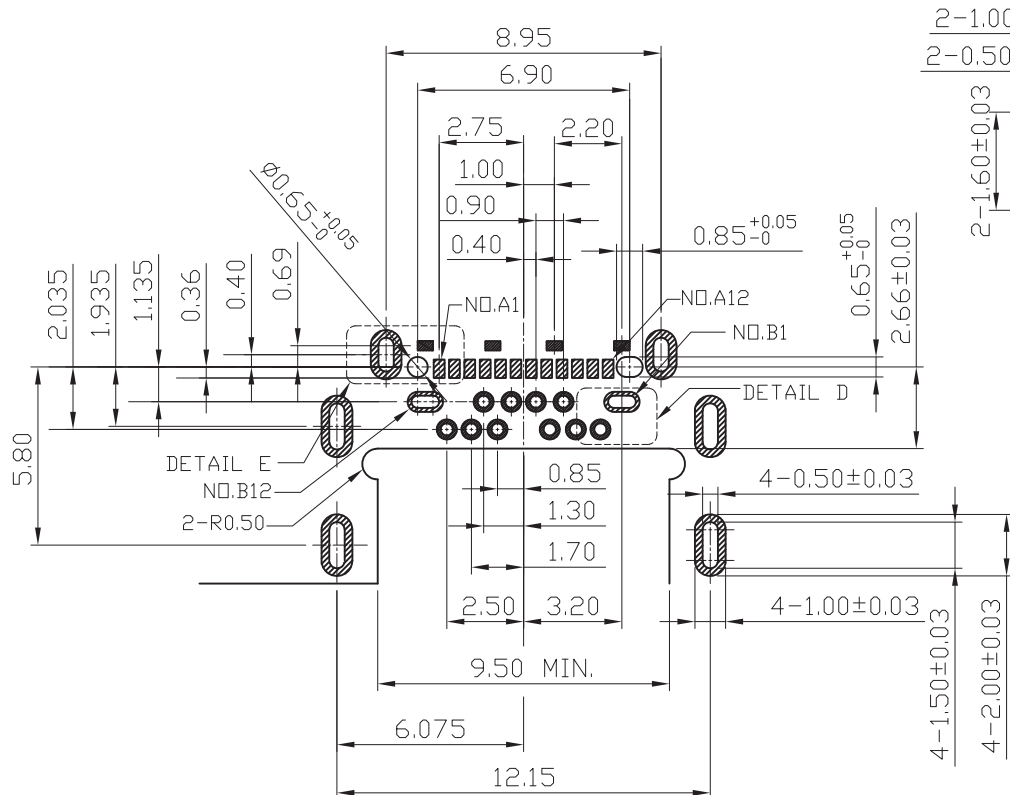
適用溫度Operation Temp. : -25°C ~ +85°C

顏 色Color : Housing : 黑色(Black)

版 次Version : VER.1

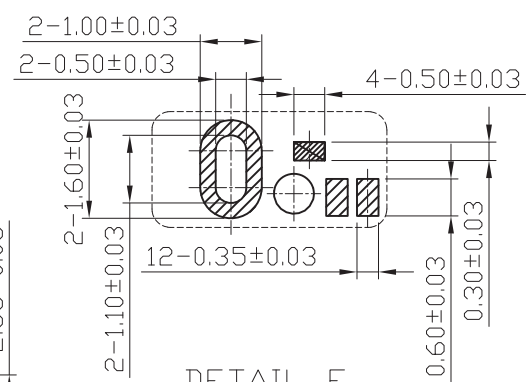


凱帛企業有限公司 KABOE ENTERPRISE CO.,LTD.		
Name: USB C母 SMT+DIP R/A 24PIN黑膠(3.1版) LCP 沉板式 兩腳		
Drawing No USB C-1025-2493N		
DR	CHK	APPD
General Tolerances : .0 ±0.35 .00 ±0.25	Unit: mm	Scale: ROM

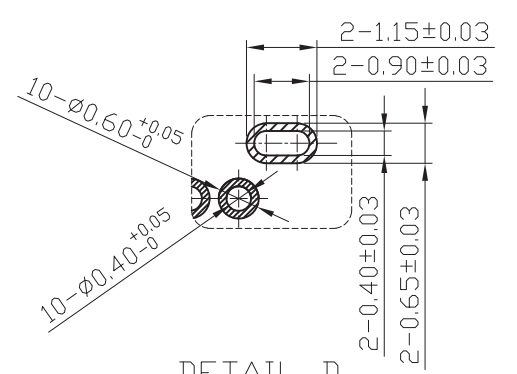


RECOMMENDED PCB LAYOUT

DEFAULT TOLERANCE: ±0.05mm



DETAIL E
SCALE 2:1



DETAIL D
SCALE 2:1

PIN NUMBER	SIGNAL NAME	PIN NUMBER	SIGNAL NAME
A1	GND	B12	GND
A2	SSTXp1	B11	SSRXp1
A3	SSTXn1	B10	SSRXn1
A4	VBUS	B9	VBUS
A5	CC1	B8	SBU2
A6	Dp1	B7	Dn2
A7	Dn1	B6	Dp2
A8	SBU1	B5	CC2
A9	VBUS	B4	VBUS
A10	SSRXn2	B3	SSTXn2
A11	SSRXp2	B2	SSTXp2
A12	GND	B1	GND

凱鼎企業有限公司
KABOE ENTERPRISE CO.,LTD.

Name:
USB C母 SMT+DIP R/A 24PIN黑膠 (3.1版) LCP 沉板式 兩腳

Drawing No
USB C-1025-2493N

DR	CHK	APPD
General Tolerances : .0 ±0.35 .00 ±0.25	Unit: mm	Scale: ROM