

**NOTE:**

**1. MATERIAL:**

- 1.1 INSULATOR: HIGH TEMPERATURE PLASTIC UL 94 V-0;
- 1.2 CONTACT: COPPER ALLOY (T=0.15mm)
- 1.3 SHELL: STAINLESS STEEL (T=0.20mm)

**2. ELECTRICAL CHARACTERISTICS:**

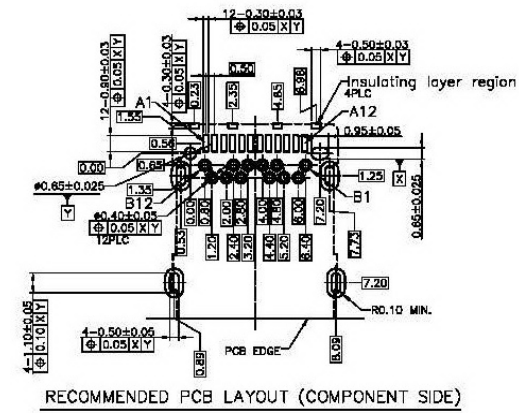
- 2.1 CONTACT RESISTANCE: 40mΩ Max FOR INITIAL. 10mΩ CHANGE AFTER TEST. MEASURE AT 20mV, 100mA.
- 2.2 CONTACT CURRENT RATING: 5A FOR VBUS PIN; 1.25A FOR VCONN PIN.
- 2.3 DIELECTRIC WITHSTANDING VOLTAGE: 100V AC R.M.S.
- 2.4 INSULATION RESISTANCE 100MΩ Min
- 2.5 OPERATING TEMPERATURE: -40° C ~ 85° C

**3. MECHANICAL CHARACTERISTICS:**

- 3.1 MATING FORCE: 5~20 N.
- 3.2 UNMATED FORCE: 8~20N AFTER TEST
- 3.3 DURABILITY: 10,000 CYCLES

**4. PLATING**

- 4.1 TERMINAL CONTACT: (SEE TAB) GOLD PLATING ALL OVER 60u" Min NICKEL AND 80u" Min Tin ALL OVER 50u" Min NICKEL ON SOLDER AREA
- 4.2 SHELL: 50u" Min. NICKEL ALL OVER,

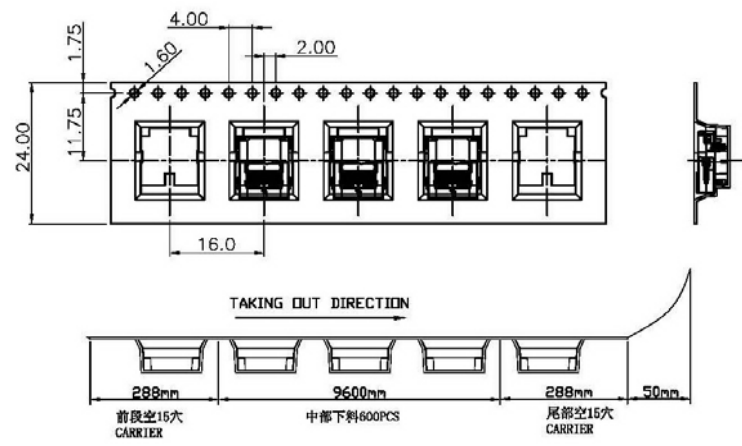
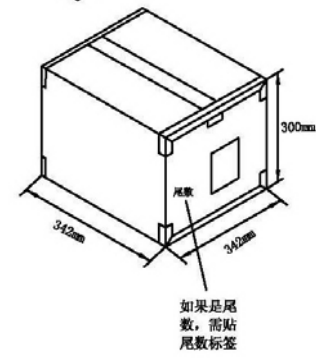
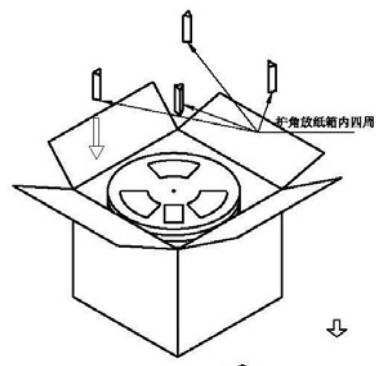
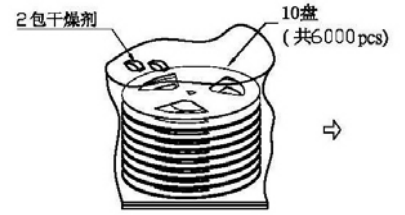
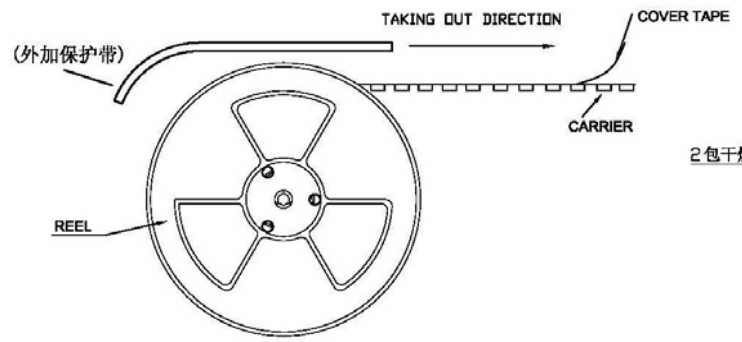


A1	A2	A3	A4	A5	A6	A7	AB	A9	A10	A11	A12
GND	TX1+	TX1-	VBUS	CC1	D+	D-	SBU1	VBUS	RX2-	RX2+	GND
GND	RX1+	RX1-	VBUS	SBU2	D-	D+	CC2	VBUS	TX2-	TX2+	GND
B12	B11	B10	B9	B8	B7	B6	B5	B4	B3	B2	B1

**INTERFACE DEFINITION**

**■ 重點尺寸**

凱帛企業有限公司 KABO ENTERPRISE CO.,LTD.		
Name USB C SMT R/A 12PIN (3.1 版) 黑膠 板上		
Drawing No. USB-C-1002-1293N		
DR	-HK-	APPD
General Tolerances : x.xx± x.x±	Unit : mm	Scale : ROM



- Notes:
1. 每卷前后各空16PCS,尾部用美纹胶纸封住,
  2. 然后再卷一圈保护带,保护带最后重叠约50MM,用美纹胶纸将其封住
  3. 每10卷盘装入一个防水袋,然后放入1个外箱;纸箱内四周放护角;
  4. 在搬运过程中要轻拿轻放.
  5. 在运输中不可堆放过多,不可有重压现象.
  6. 跌落测试条件:  
成品箱子从1.5米高自由落体:(三棱六面一角)
- 检验项目: 1. 产品不可跑出下带凹槽.  
2. 产品不可有摔伤,变形.  
3. 外箱及内包装材料不可严重破损.

如果是尾数,需贴尾数标签

产品	_____	_____	6K
PE袋	_____	_____	1PCS
三角柱	_____	_____	4PCS
干燥剂	_____	_____	2PCS
COVER TAPE	_____	21.0mm	若干
REEL	_____	24.0mm	10R
纸箱	CA-05002-00	双坑K=K 342*342*300	1
品名	料号	规格(mm)	用量(PCS)

凱帛企業有限公司 KABO ENTERPRISE CO.,LTD.		
Name		
USB C SMT R/A 12PIN (3.1 版) 黑膠 板上		
Drawing No.		
USB-C-1002-1293N		
DR	-HK-	APPD
General Tolerances :		Scale :
X.XX± X.X±		Unit : mm ROM