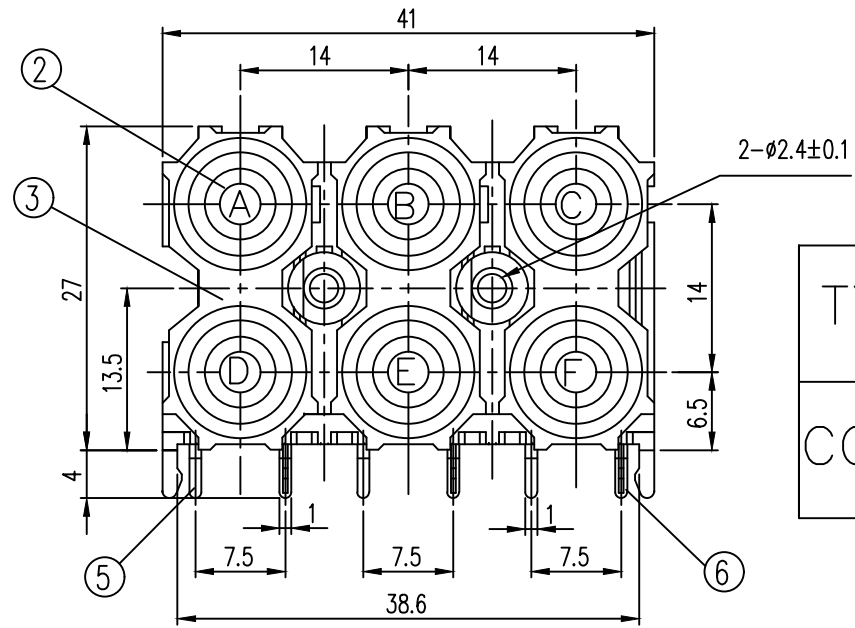
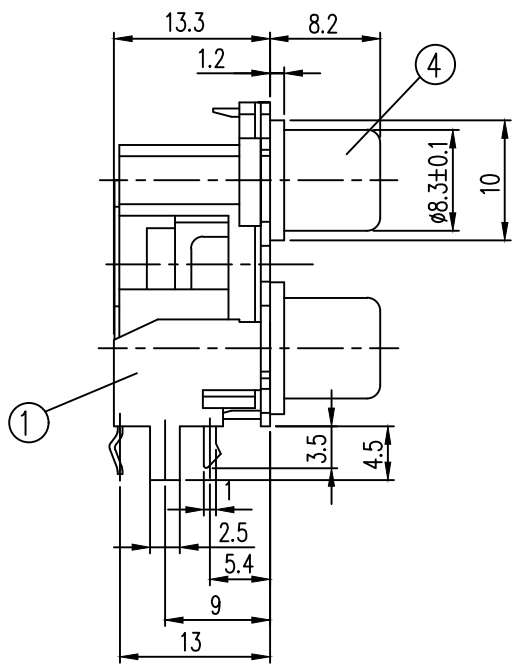
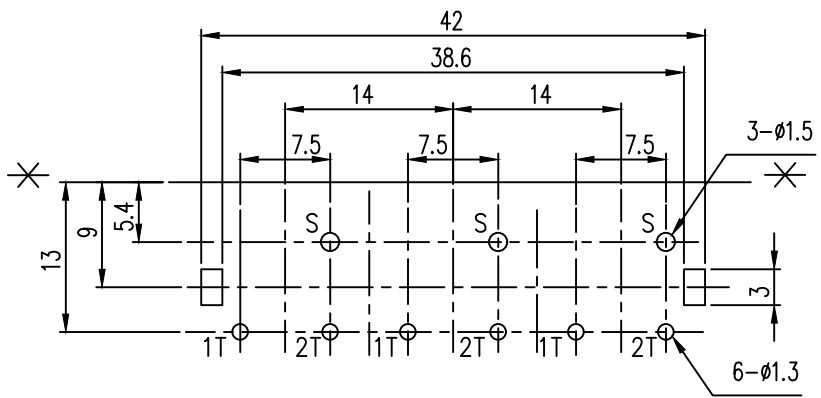
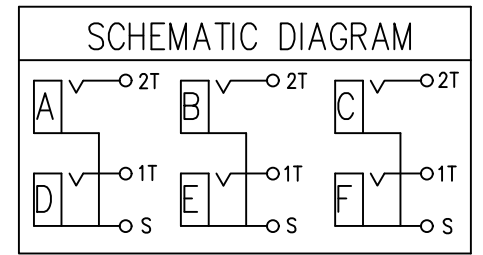


REVISIONS				
LTR	DESCRIPTION	DATE	REVISED	APPROVED



TYPE	A	B	C
	D	E	F
COLOR	YELLOW	WHITE	RED
	GREEN	BLUE	RED



T:1.6 Dimensions of PC board holes
Tolerance : ±0.1(Printed-bottom view)

UNLESS OTHERWISE SPECIFIED, TOLERANCE ON DECIMAL: ±0.3

LEAD FREE

6	TERMINAL	3	C2680 t=0.4	Cu/Sn PLATED
5	TERMINAL	3	C2680 t=0.4	Cu/Sn PLATED
4	OUTER CONTACT	3	C2680 t=0.3	Cu/Sn PLATED
3	COVER	3	ABS	UL-94HB
2	WASHER	6	PBT 4815	UL-94V0(BLACK)
1	HOUSING	1	PBT 4815	UL-94V0(BLACK)

LTR	PART NAME	QTY	MATERIAL	REMARK
DWN	LILY	DATE	2006.02.15	NAME PIN JACK CAT. NO. RCA-246V-96H DWN.NO. M-246V 001
CHKD	ANDY	DATE	2006.02.15	
APVD	JON	DATE	2006.02.15	
JKCR Electronics Co., Ltd.				