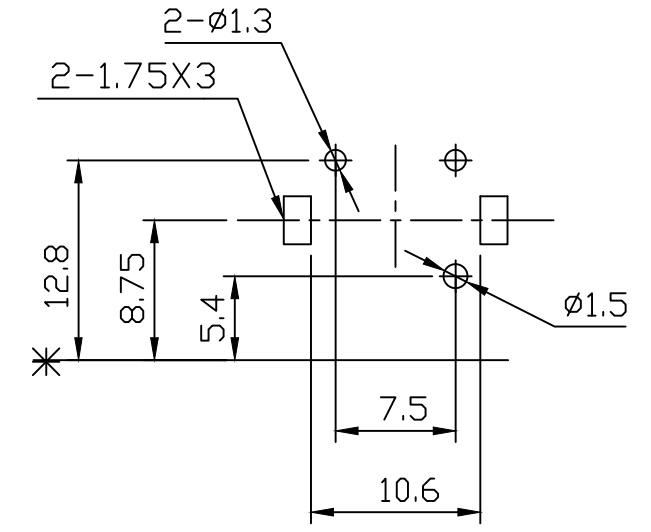
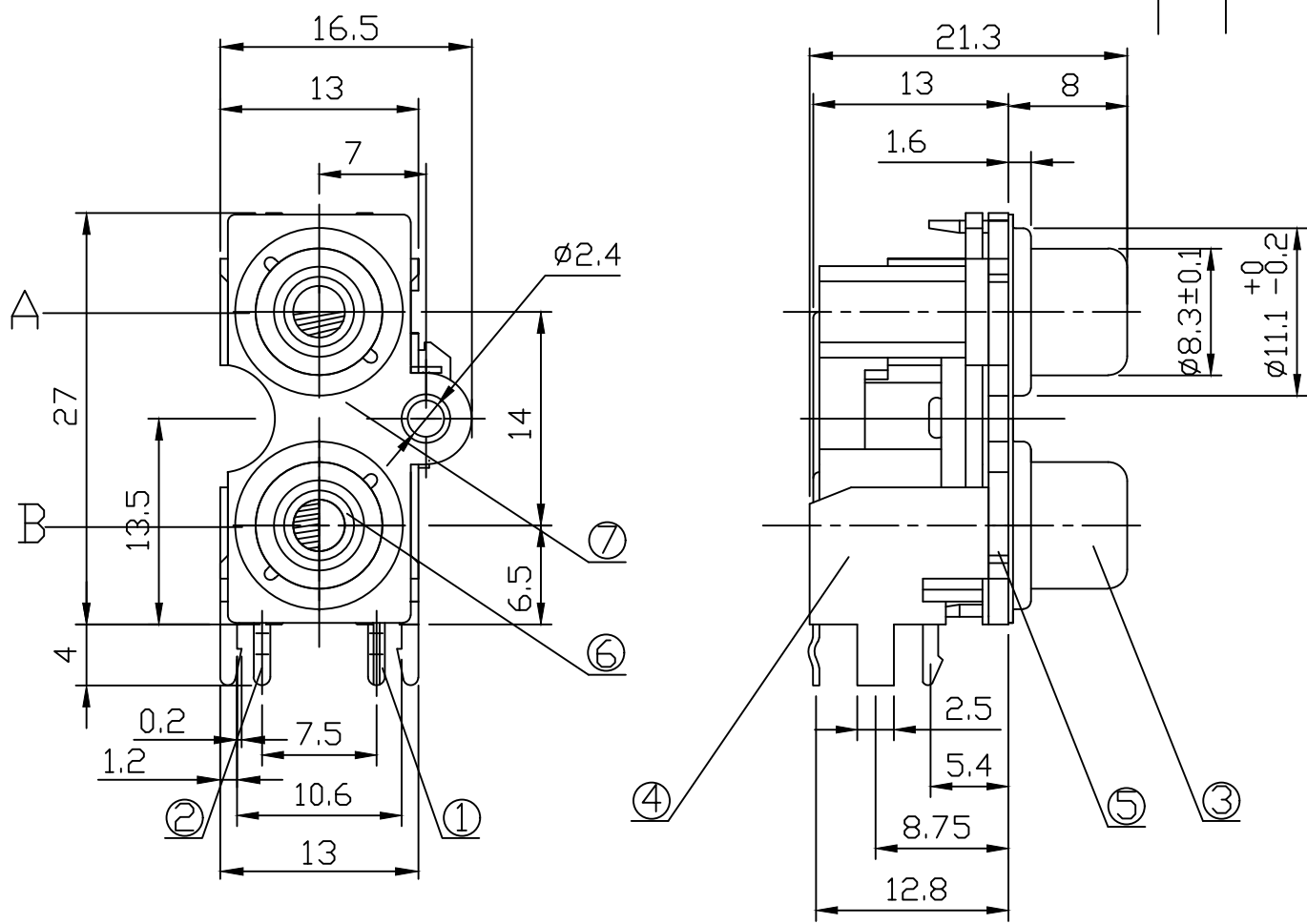


* REVISIONS				
LTR	DESCRIPTION	DATE	REVISED	APPROVED



T:1.6 Dimensions of PC board holes
Tolerance : ±0.05(Printed-top view)

RCA-242V4-42H		
COLOR	A	ORANGE
	B	BLACK
SCHEMATIC		

UNLESS OTHERWISE SPECIFIED, TOLERANCE ON DECIMAL:±0.3

7	SEALED PLATE	1	C2680 t=0.25	Cu/Sn PLATED
6	WASHER	2	PBT 4815	UL-94V0
5	COVER	1	ABS	UL-94HB(BLACK)
4	HOUSING	1	PBT 4815	UL-94V0(BLACK)
3	OUTER CONTACT	1	C2680 t=0.4	Au PLATED
2	TERMINAL	1	C2680 t=0.4	Cu/Sn PLATED
1	TERMINAL	1	C2680 t=0.4	Cu/Sn PLATED
LTR	PART NAME	QTY	MATERIAL	REMARK
DWN	LILY	DATE	2015.11.15	3RD ANGLE PROJECTION NAME PIN JACK CAT. NO. RCA-242V4-42H DWN.NO. M-242V4
CHKD	ANDY	DATE	2015.11.15	
APVD	JON	DATE	2015.11.15	
JKCR Electronics Co., Ltd.				001