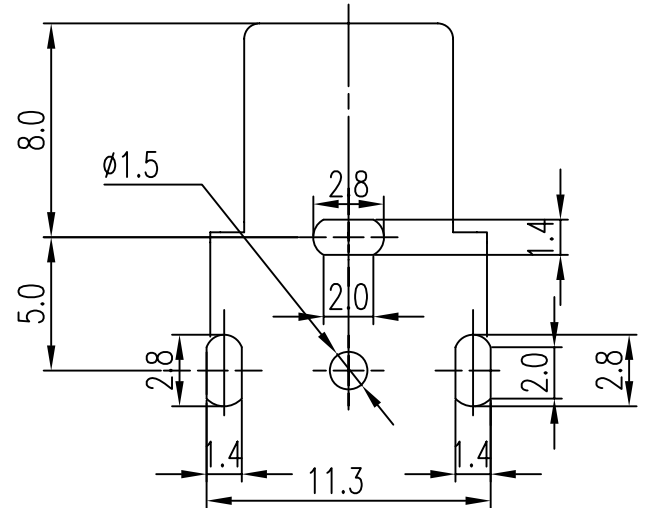
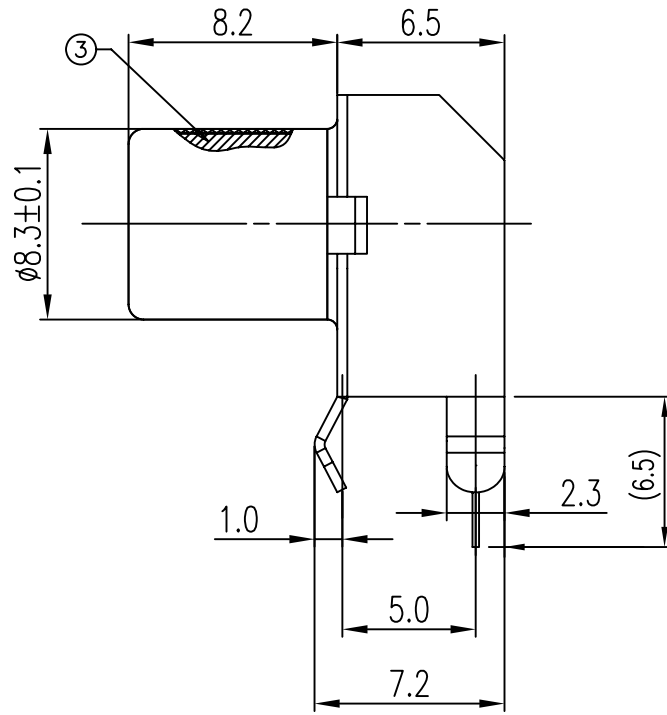
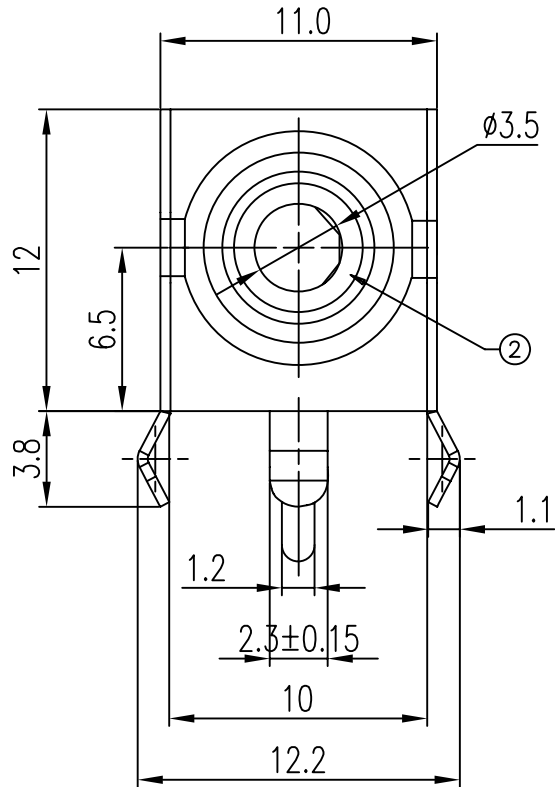
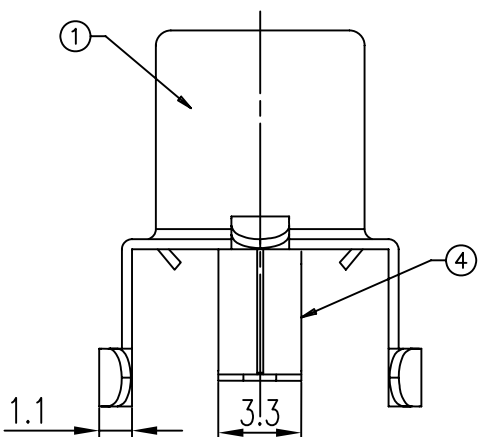


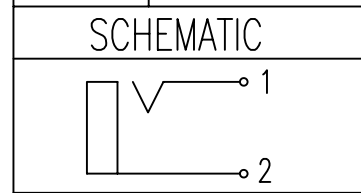
* REVISIONS				
LTR	DESCRIPTION	DATE	REVISED	APPROVED



T:1.6 Dimensions of PC board holes
Tolerance : ±0.05(Printed-bottom view)



COLOR	PART NO.
BLACK	RCA-04048B
YELLOW	RCA-04048Y
RED	RCA-04048R
WHITE	RCA-04048W
BLUE	RCA-04048BL
GREEN	RCA-04048GR



LEAD FREE

4	CONTACT	1	C2680	t=0.3	Cu/Sn PLATED
3	INSULATOR	1	PBT 4815		UL-94V0(BLACK)
2	WASHER	1	PBT 4815		UL-94V0
1	SHIELD	1	C2680	t=0.4	Cu/Sn PLATED

LTR	PART NAME		QTY	MATERIAL	REMARK
DWN	LILY	DATE	2013.04.22	3RD ANGLE PROJECTION	NAME PIN JACK
CHKD	ANDY	DATE	2013.04.22	UNIT: mm	CAT. NO. RCA-04048
APVD	JON	DATE	2013.04.22		DWN.NO. B-04048

UNLESS OTHERWISE SPECIFIED, TOLERANCE ON DECIMAL: ±0.3

JKCR Electronics Co., Ltd.

DWN.NO. B-04048 001