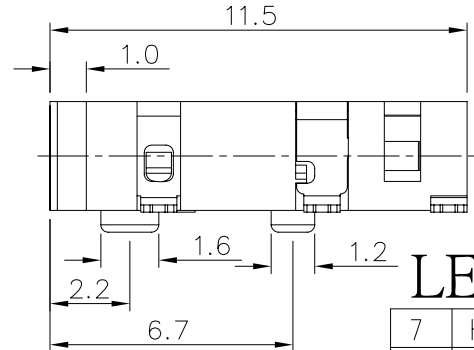
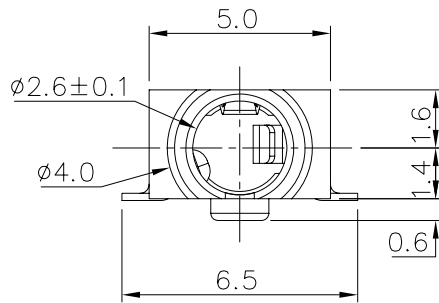
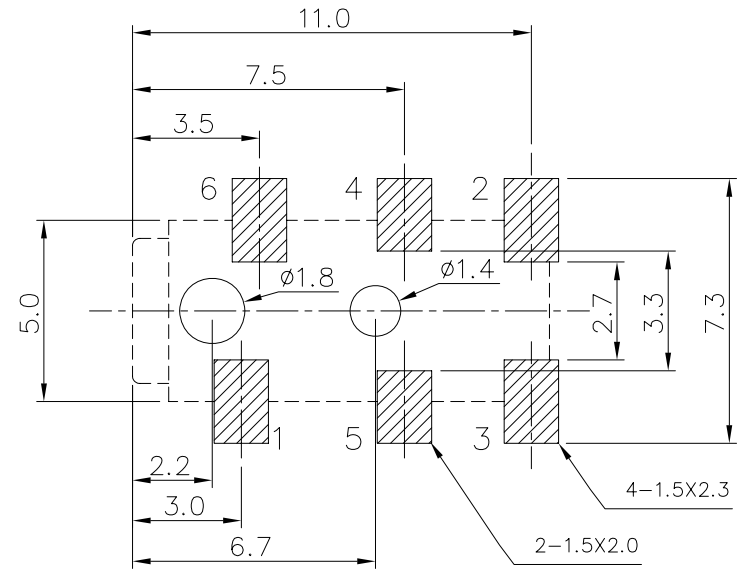
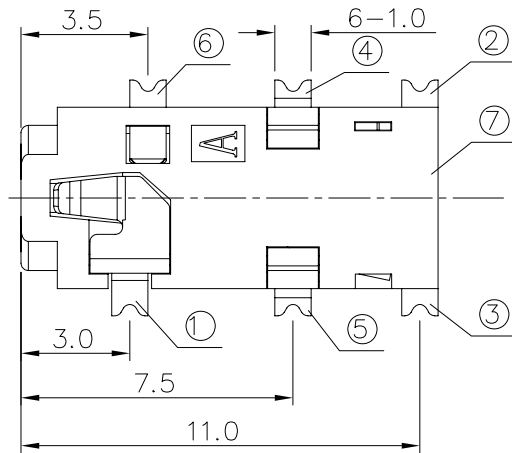
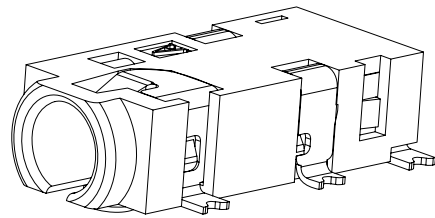


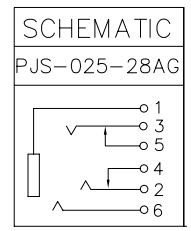
* REVISIONS

LTR	DESCRIPTION	DATE	REVISED	APPROVED
-----	-------------	------	---------	----------



T:1.6 Dimensions of PC board holes
Tolerance : ±0.05(Printed-top view)

LEAD FREE



7	HOUSING	1	PA9T		UL-94V0(BLACK)
6	TERMIANL	1	C2680	t=0.20	Au PLATED
5	TERMIANL	1	C2680	t=0.20	Au PLATED
4	TERMIANL	1	C5191	t=0.20	Au PLATED
3	SPRING TERMINAL	1	C5191	t=0.20	Au PLATED
2	SPRING TERMINAL	1	C5191	t=0.20	Au PLATED
1	TERMIANL	1	C5191	t=0.20	Au PLATED

LTR	PART NAME	QTY	MATERIAL	REMARK
DWN	LILY	DATE	2014.04.09	3RD ANGLE PROJECTION
CHKD	ANDY	DATE	2014.04.09	
APVD	JON	DATE	2014.04.09	UNIT:mm

NAME	MINIATURE JACK
CAT NO.	PJS-025-28AG
DWN.NO.	A-025-28 001

UNLESS OTHERWISE SPECIFIED, TOLERANCE ON DECIMAL: ±0.2

JKCR Electronics Co., Ltd.