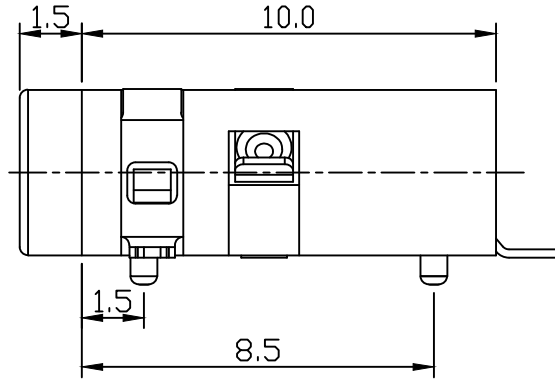
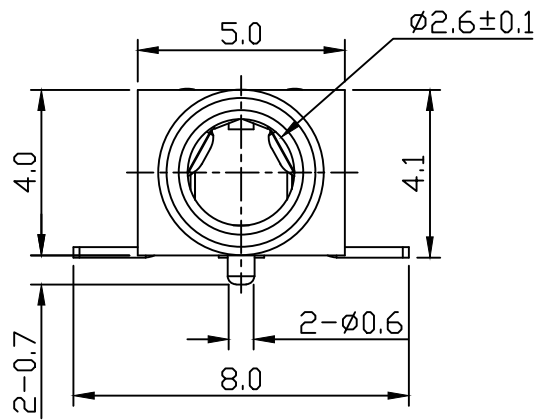
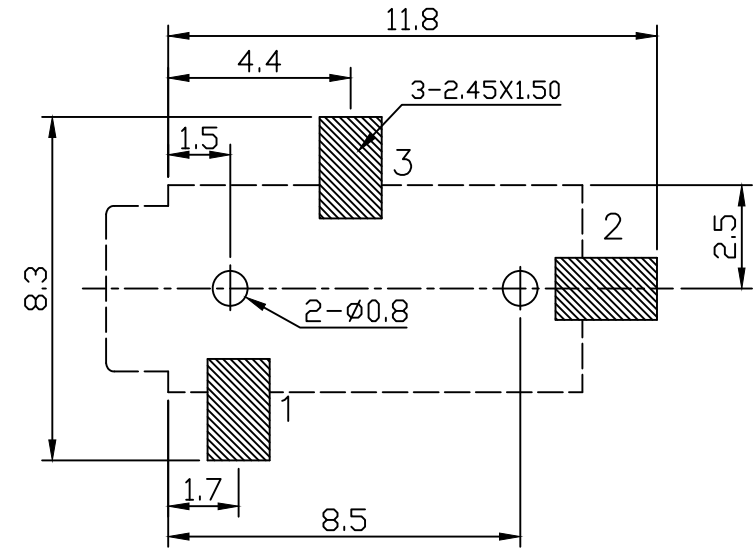
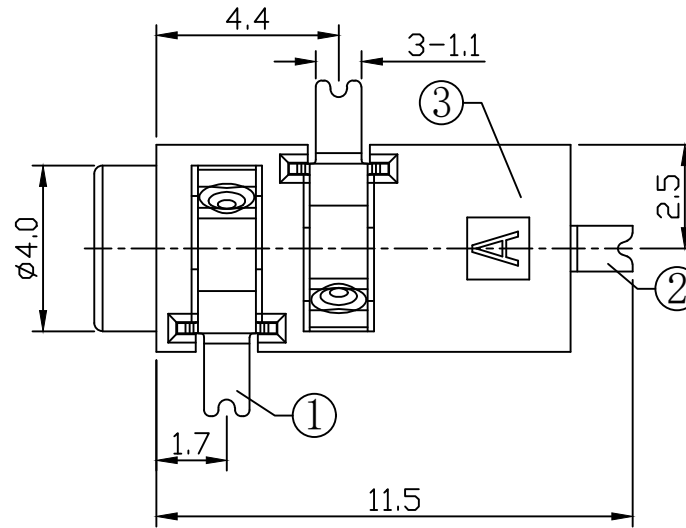
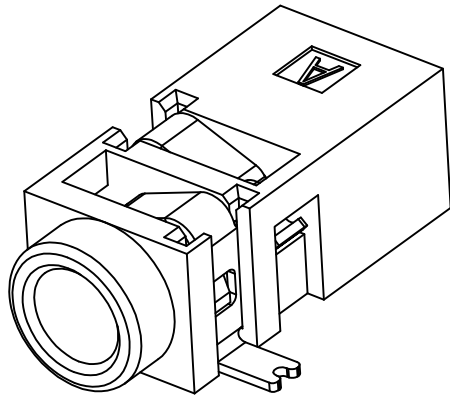
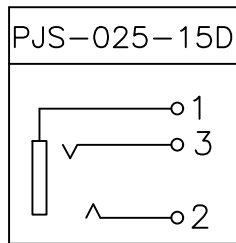


* RoHS COMPLIANT *

		* REVISIONS		
LTR	DESCRIPTION	DATE	REVISED	APPROVED



T:1.6 Dimensions of PC board holes
Tolerance : ±0.05(Printed-top view)



UNLESS OTHERWISE SPECIFIED, TOLERANCE ON DECIMAL: ±0.2

3	HOUSING	1	PA9T	UL-94V0(BLACK)
2	TERMINAL	1	C5191 t=0.20	Ag PLATED
1	TERMINAL	2	C5191 t=0.20	Ag PLATED
LTR	PART NAME	QTY	MATERIAL	REMARK
DWN	LILY	DATE	2013.06.17	3RD ANGLE PROJECTION NAME MINIATURE JACK CAT. NO. PJS-025-15D DWN.NO. A-025-15
CHKD	ANDY	DATE	2013.06.17	
APVD	JON	DATE	2013.06.17	
JKCR Electronics Co., Ltd.				001