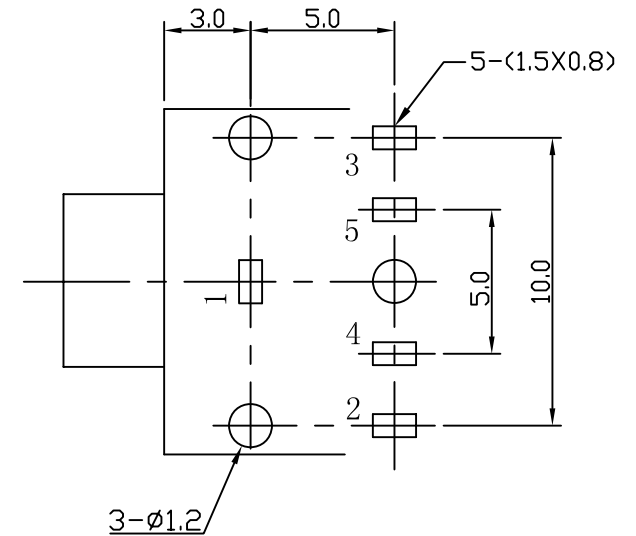
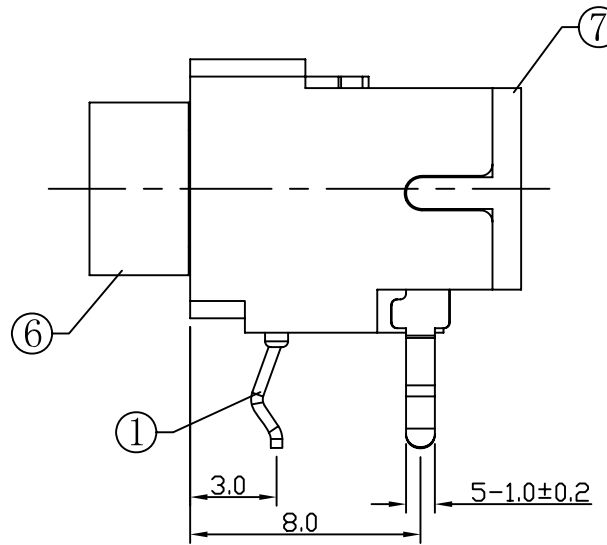
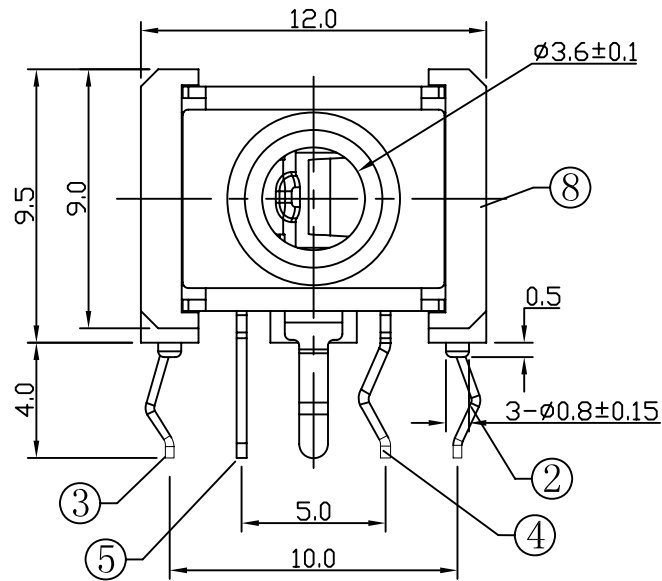


* REVISIONS				
LTR	DESCRIPTION	DATE	REVISED	APPROVED



T:1.6 Dimensions of PC board holes
Tolerance : ±0.05(Printed-top view)

LEAD FREE

8	HOUSING	1	PBT 4815	UL-94V0(BLACK)
7	COVER	1	PBT 4815	UL-94V0
6	AXIS SUPPORT	1	H59(COPPER ALLOY)	Cu/Sn PLATED
5	5# CONTACT FOOT	1	C2680	Ag PLATED
4	4# CONTACT FOOT	1	C2680	Ag PLATED
3	3# CONTACT FOOT	1	C5191	Ag PLATED
2	2# CONTACT FOOT	1	C5191	Ag PLATED
1	1# CONTACT FOOT	1	C2680	Sn PLATED

LTR	PART NAME		QTY	MATERIAL	REMARK
DWN	LILY	DATE	2014.03.31	3RD ANGLE PROJECTION	NAME MINIATURE JACK
CHKD	ANDY	DATE	2014.03.31		CAT. NO. PJD-035-07
APVD	JON	DATE	2014.03.31		UNIT: mm
JKCR Electronics Co., Ltd.					DWN.NO. A-035-07
					001

SCHEMATIC					
PJD-035-07A	PJD-035-07B	PJD-035-07C	PJD-035-07D	PJD-035-07I	PJD-035-07E

UNLESS OTHERWISE SPECIFIED, TOLERANCE ON DECIMAL: ±0.3