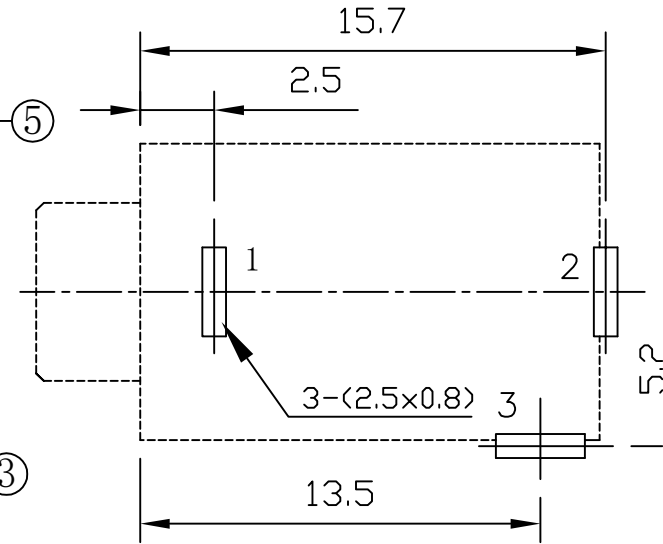
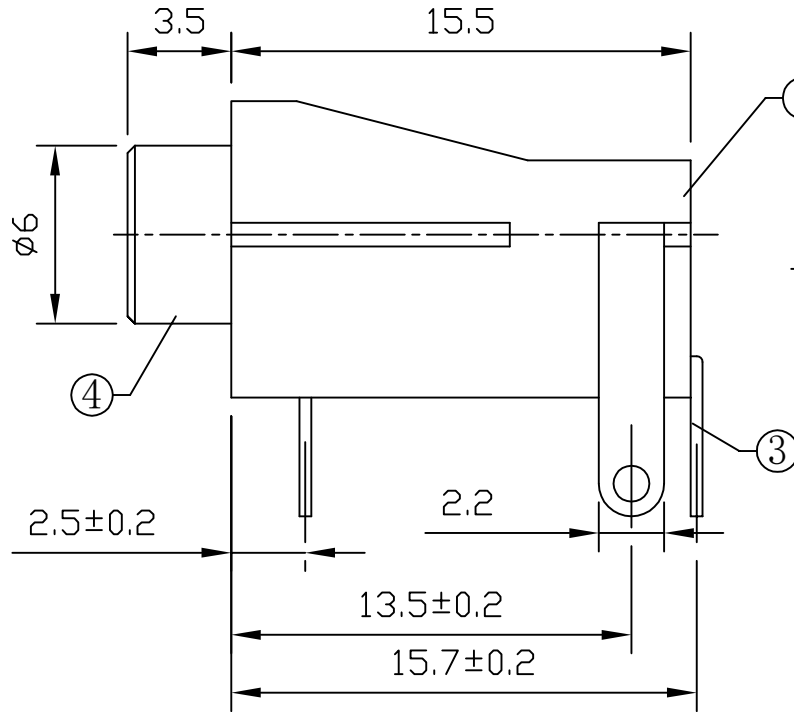
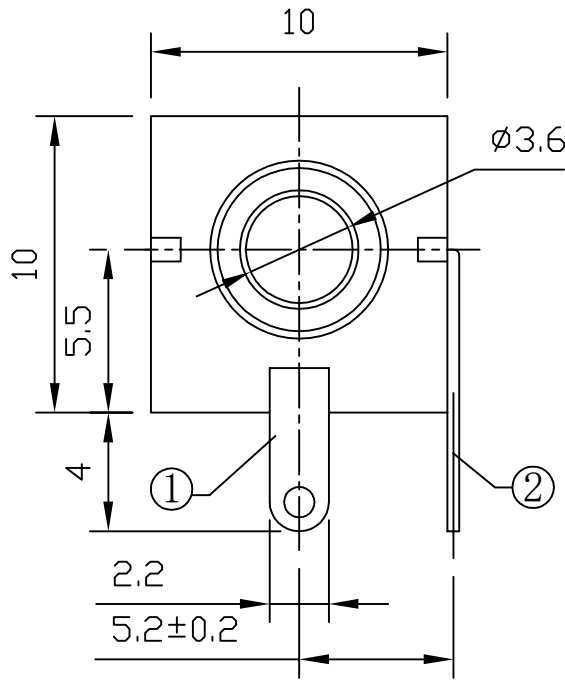
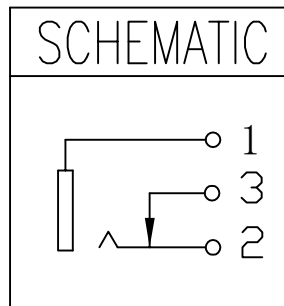
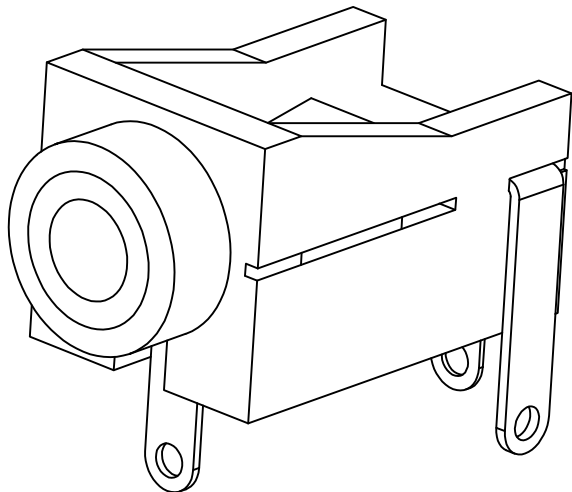


* RoHS COMPLIANT *

| * REVISIONS | | | | |
|-------------|-------------|------|---------|-----|
| LTR | DESCRIPTION | DATE | REVISED | APP |
| | | | | |



T:1.6 Dimensions of PC board holes
Tolerance : ±0.05Printed-top view)



UNLESS OTHERWISE SPECIFIED, TOLERANCE ON DECIMAL: ±0.3

| | | | | |
|---|--------------|---|----------|----------------|
| 5 | HOUSING | 1 | PBT 4815 | UL-94V0(BLACK) |
| 4 | AXIS SUPPORT | 1 | C2680 | Ni PLATED |
| 3 | SPRING PIECE | 1 | SUS 301 | Sn PLATED |
| 2 | CURVE PIECE | 1 | C2680 | Sn PLATED |
| 1 | FLAT PIECE | 1 | C2680 | Sn PLATED |

| LTR | PART NAME | | QTY | MATERIAL | REMARK |
|------|-----------|------|------------|----------------------|-------------|
| DWN | LILY | DATE | 2014.03.16 | 3RD ANGLE PROJECTION | NAME |
| CHKD | ANDY | DATE | 2014.03.16 | | MINIATURE J |
| APVD | JON | DATE | 2014.03.16 | | CAT. NO. |
| | | | | | PJD-035-C |

| | | | | | |
|----------------------------|--|--|--|--|----------|
| JKCR Electronics Co., Ltd. | | | | | DWN.NO. |
| | | | | | A-035-02 |