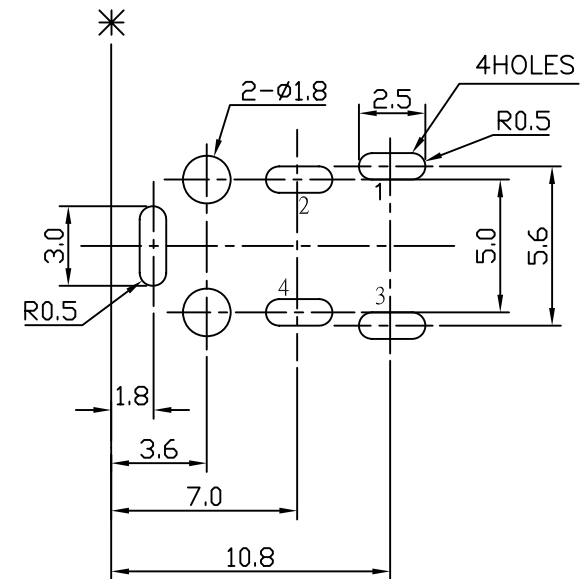
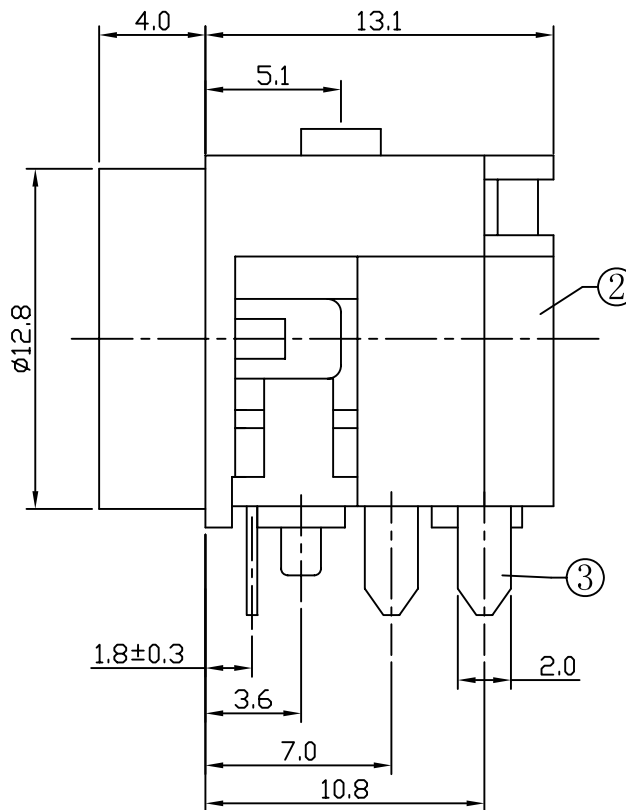
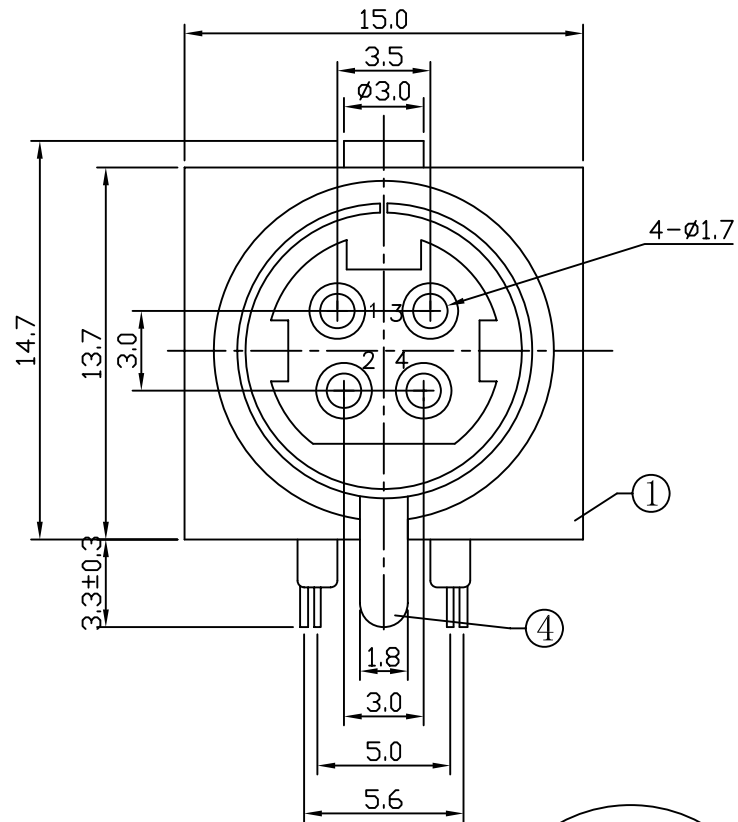
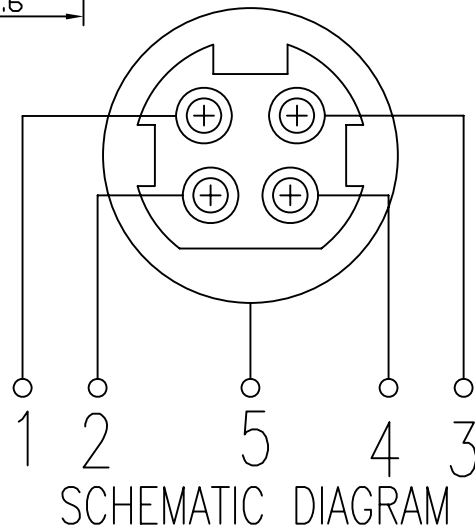


* REVISIONS				
LTR	DESCRIPTION	DATE	REVISED	APPROVED



T:1.6 Dimensions of PC board holes
Tolerance : ±0.05(Printed-Top view)



UNLESS OTHERWISE SPECIFIED, TOLERANCE ON DECIMAL: ±0.3

LEAD FREE

4	GROUND CONTACT	1	C2680	t=0.4	Cu/Sn(40u"min)	PLATED
3	TERMINAL	4	C2680	t=0.3	MB:Ni(20u"min) Ag(8u"min)	PLATED
2	COAT	1	PBT 4815		UL-94V0(BLACK)	
1	HOUSING	1	PBT 4815		UL-94V0(BLACK)	
LTR	PART NAME	QTY	MATERIAL	REMARK		
DWN	LILY	DATE	2013.04.22	3RD ANGLE PROJECTION	NAME POWER JACK QUICK LOCK	
CHKD	ANDY	DATE	2013.04.22		CAT. NO.	
APVD	JON	DATE	2013.04.22	UNIT: mm	MD-09038A-4	
JKCR Electronics Co., Ltd.					DWN.NO.	B-09038A
						001