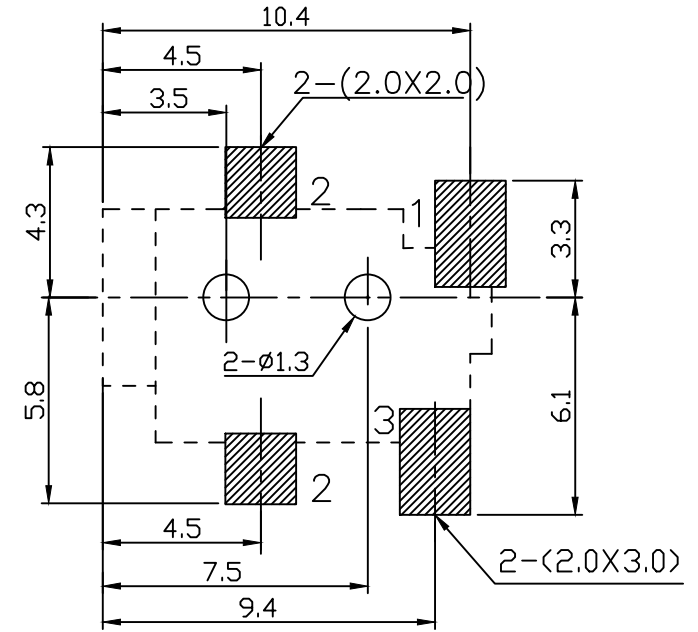
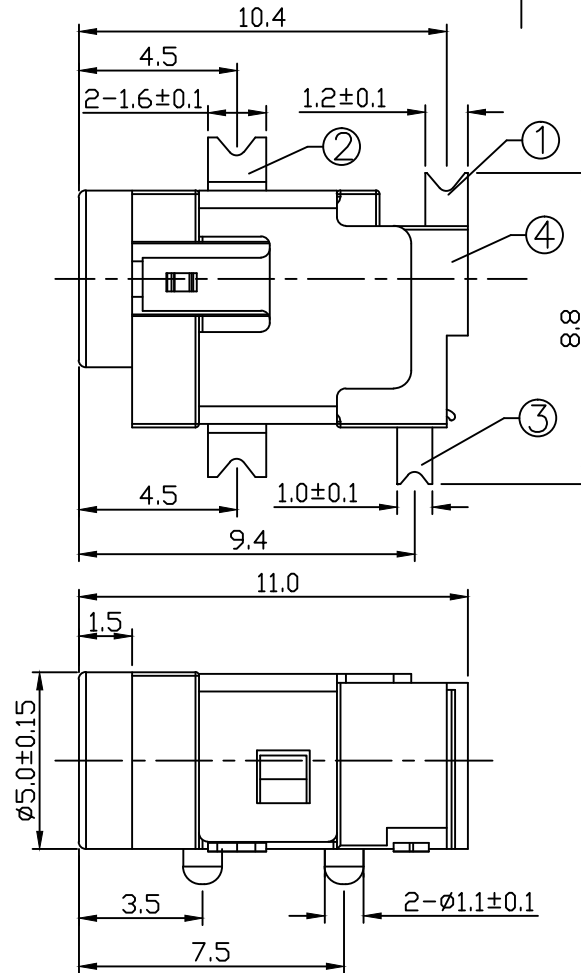
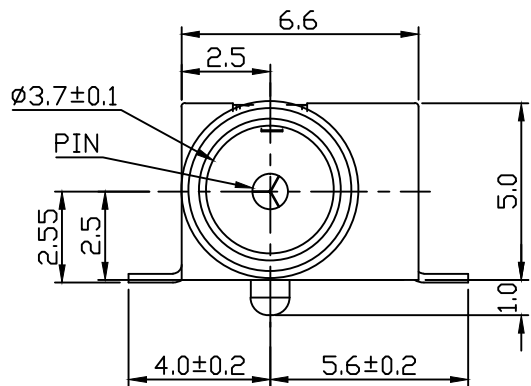
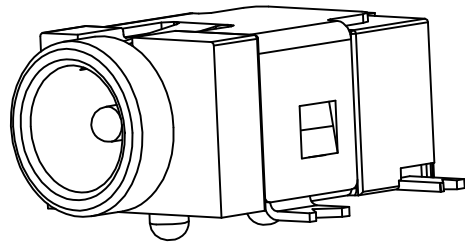
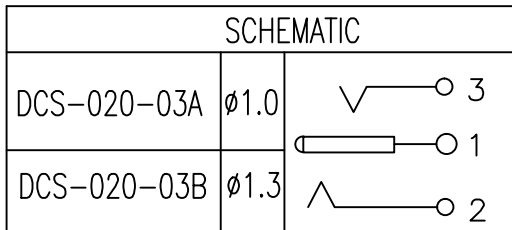


\* RoHS COMPLIANT \*



T:1.6 Dimensions of PC board holes  
Tolerance : ±0.05(Printed-top view)



UNLESS OTHERWISE SPECIFIED, TOLERANCE ON DECIMAL:±0.2

* REVISIONS				
LTR	DESCRIPTION	DATE	REVISED	APPROVED

4	HOUSING	1	PA9T	UL-94V0(BLACK)
3	CONTACT FOOT	1	C5191	t=0.25 Ag PLATED
2	CONTACT FOOT	1	C5191	t=0.25 Ag PLATED
1	PIN FOOT	1	C2680	t=0.20 Ag PLATED
LTR	PART NAME	QTY	MATERIAL	REMARK
DWN	LILY	DATE	2018.12.25	3RD ANGLE PROJECTION NAME DC POWER JACK CAT. NO. DCS-020-03 DWN.NO. A-020-03
CHKD	ANDY	DATE	2018.12.25	
APVD	JON	DATE	2018.12.25	
JKCR Electronics Co., Ltd.				001