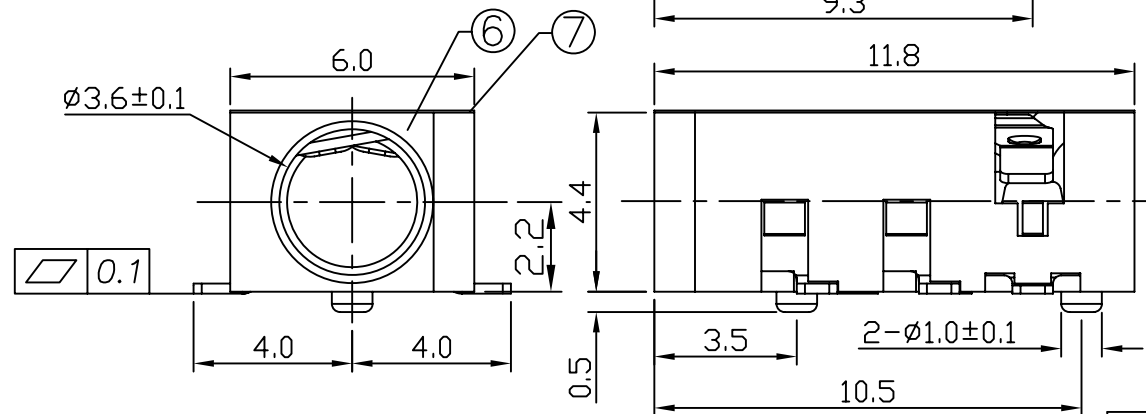
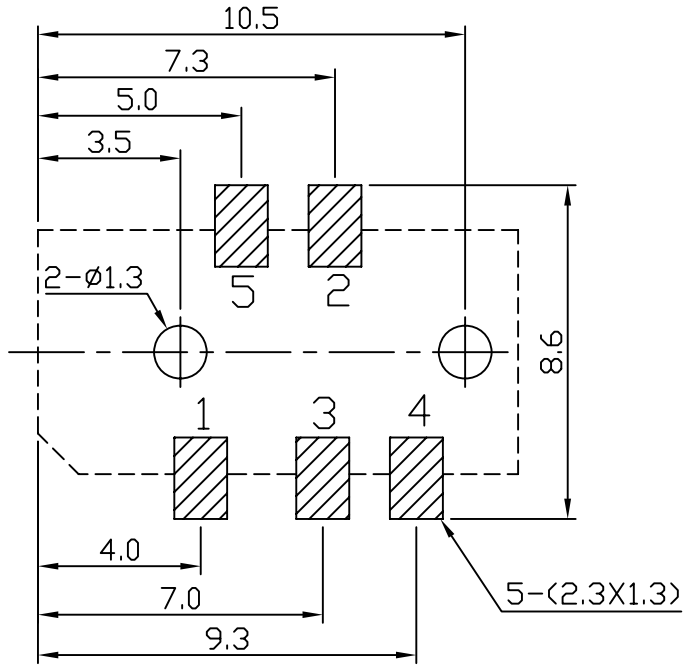
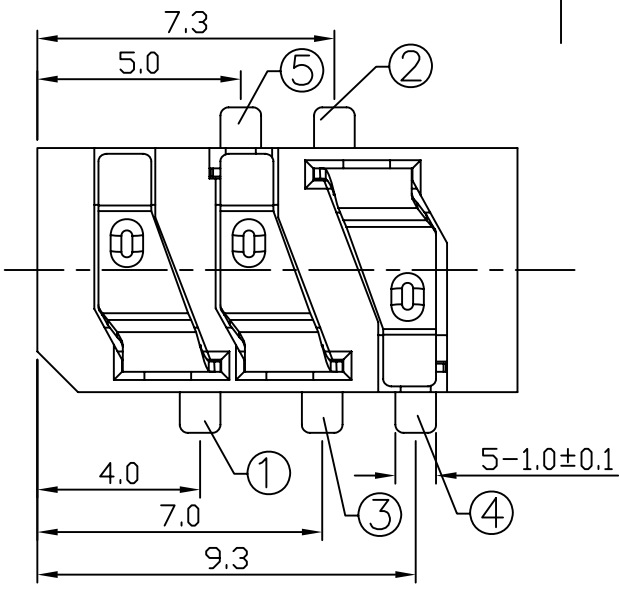
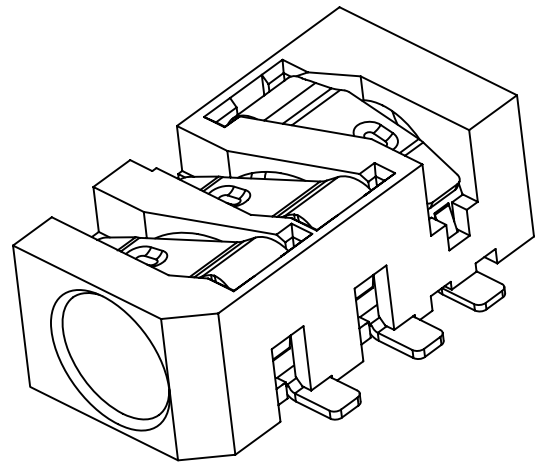
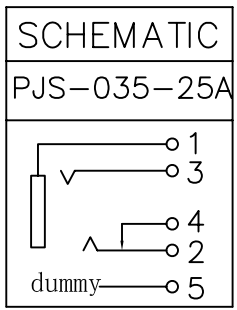


* REVISIONS				
LTR	DESCRIPTION	DATE	REVISED	APPROVED



T:1.6 Dimensions of PC board holes
Tolerance : ±0.05(Printed-top view)

LEAD FREE



7	MYLAR	1	POLYIMIDE TAPE	
6	HOUSING	1	PA9T	UL-94V0(BLACK)
5	DUMMY FOOT	1	C2680 t=0.20	Ag PLATED
4	CONTACT FOOT	1	C5191 t=0.20	Ag PLATED
3	CONTACT FOOT	1	C5191 t=0.25	Ag PLATED
2	CONTACT FOOT	1	C5191 t=0.25	Ag PLATED
1	CONTACT FOOT	1	C5191 t=0.25	Ag PLATED

LTR	PART NAME	QTY	MATERIAL	REMARK
DWN	LILY	DATE	2014.05.12	3RD ANGLE PROJECTION NAME MINIATURE JACK CAT. NO. PJS-035-25A
CHKD	ANDY	DATE	2014.05.12	
APVD	JON	DATE	2014.05.12	

UNLESS OTHERWISE SPECIFIED, TOLERANCE ON DECIMAL: ±0.2