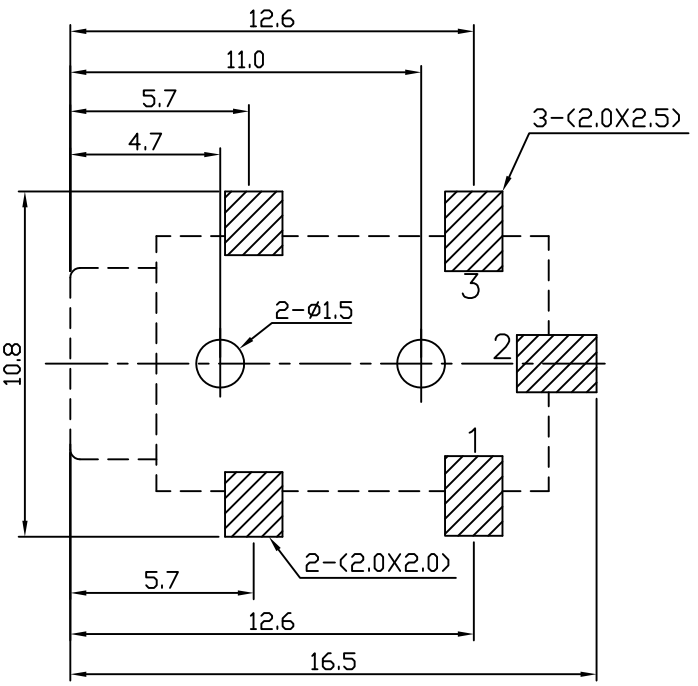
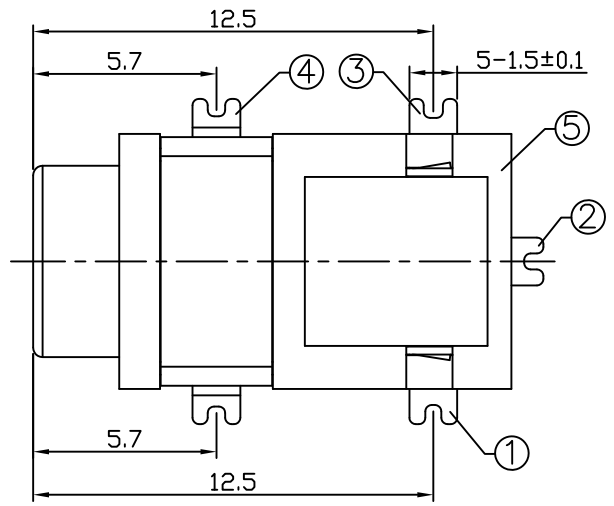
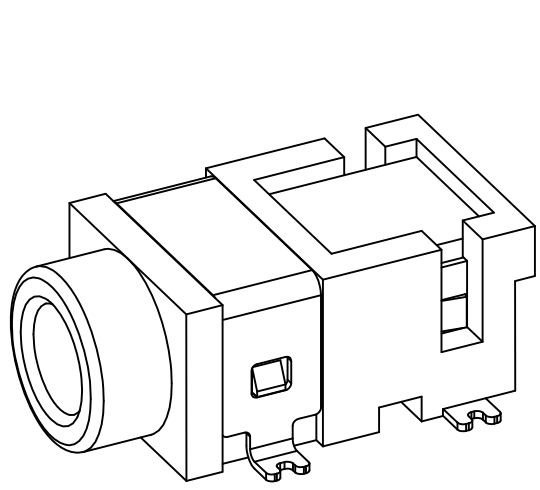
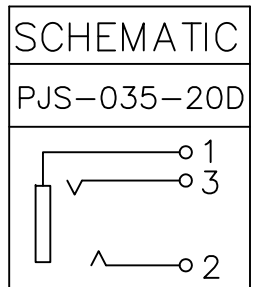
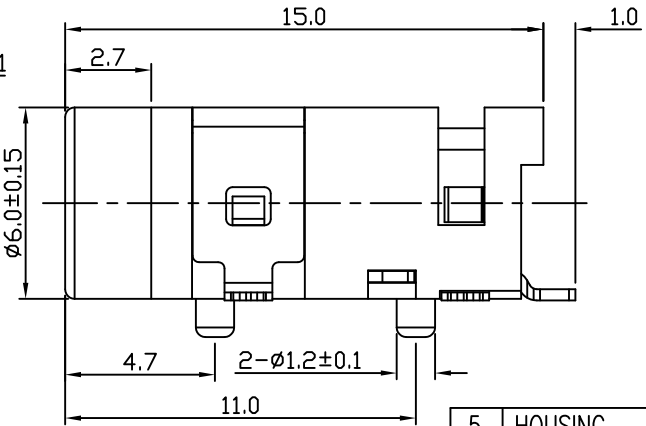
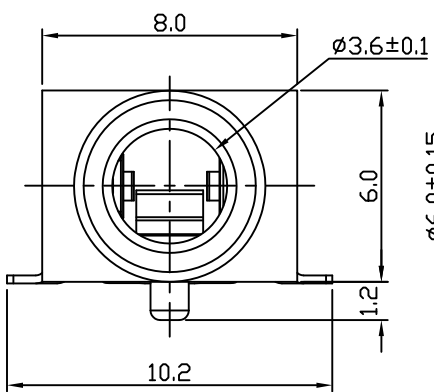


* RoHS COMPLIANT *

| * REVISIONS | | | | |
|-------------|-------------|------|---------|----------|
| LTR | DESCRIPTION | DATE | REVISED | APPROVED |
| | | | | |



T:1.6 Dimensions of PC board holes
Tolerance : ±0.05(Printed-top view)



UNLESS OTHERWISE SPECIFIED, TOLERANCE ON DECIMAL: ±0.2

| 5 | HOUSING | 1 | PA9T | | UL-94V0(BLACK) |
|----------------------------|--------------|------|------------|----------------------|-------------------------|
| 4 | FIXED FOOT | 1 | C2680 | t=0.25 | Ag PLATED |
| 3 | CONTACT FOOT | 1 | C5191 | t=0.25 | Ag PLATED |
| 2 | CONTACT FOOT | 1 | C5191 | t=0.25 | Ag PLATED |
| 1 | CONTACT FOOT | 1 | C5191 | t=0.25 | Ag PLATED |
| LTR | PART NAME | QTY | MATERIAL | | REMARK |
| DWN | LILY | DATE | 2013.09.24 | 3RD ANGLE PROJECTION | NAME MINIATURE JACK |
| CHKD | ANDY | DATE | 2013.09.24 | | |
| APVD | JON | DATE | 2013.09.24 | | |
| JKCR Electronics Co., Ltd. | | | | | DWN.NO. A-035-20 001 |