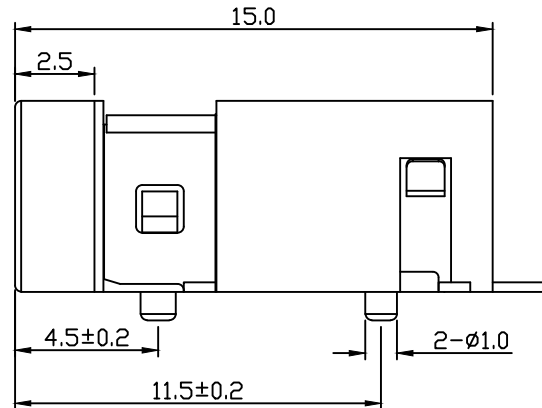
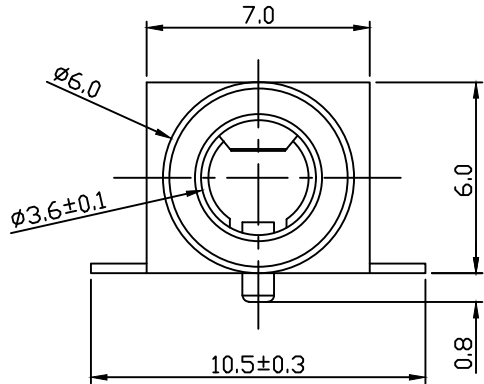
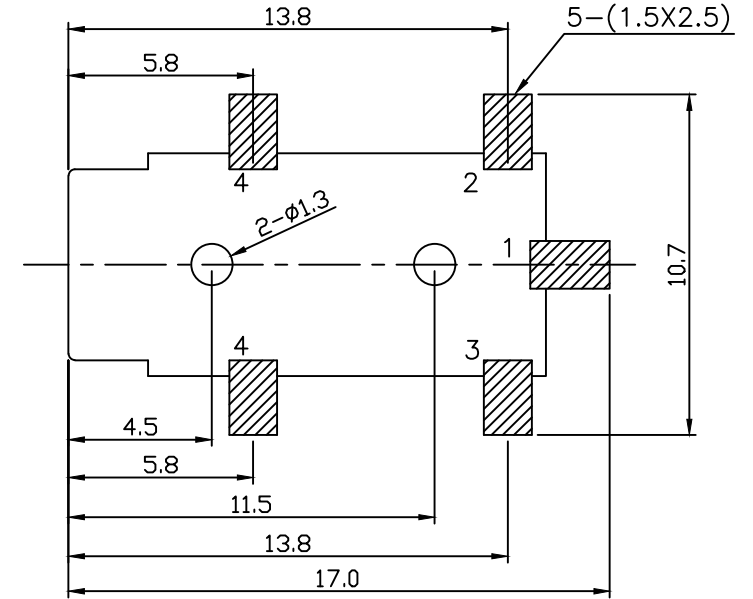
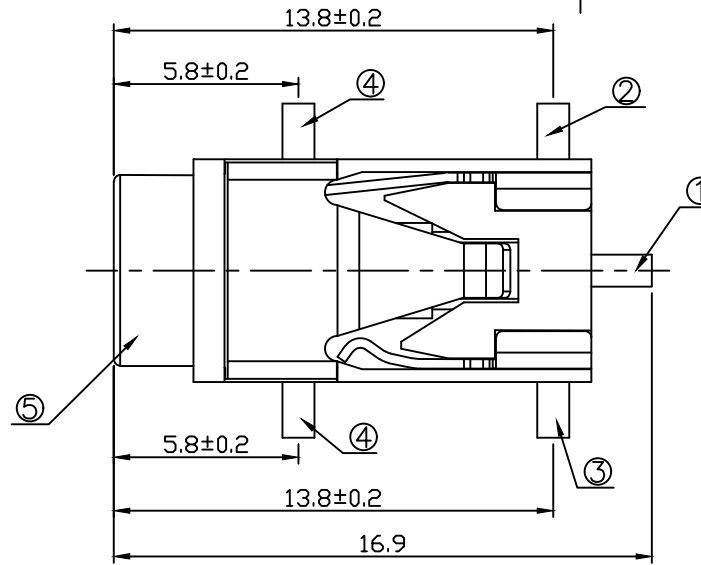
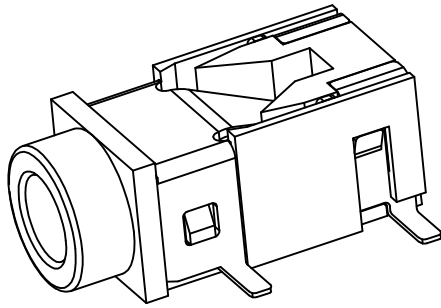
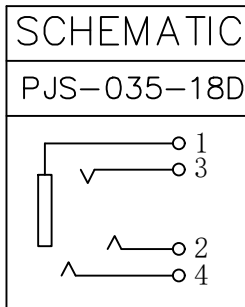


* RoHS COMPLIANT *

		* REVISIONS		
LTR	DESCRIPTION	DATE	REVISED	APPROVED



T:1.6 Dimensions of PC board holes
Tolerance : ±0.05(Printed-top view)



5	HOUSING	1	PA9T	UL-94V0(BLACK)	
4	4# TERMINAL	1	C5191 t=0.35	Ag PLATED	
3	3# TERMINAL	1	C5191 t=0.30	Ag PLATED	
2	2# TERMINAL	1	C5191 t=0.30	Ag PLATED	
1	1# TERMINAL	1	C5191 t=0.30	Ag PLATED	
LTR	PART NAME	QTY	MATERIAL	REMARK	
DWN	LILY	DATE	2016.12.8	3RD ANGLE PROJECTION	
CHKD	ANDY	DATE	2016.12.8		
APVD	JON	DATE	2016.12.8	UNIT: mm	
JKCR Electronics Co., Ltd.				NAME	MINIATURE JACK
				CAT. NO.	PJS-035-18A
				DWN.NO.	A-035-18
					001

UNLESS OTHERWISE SPECIFIED, TOLERANCE ON DECIMAL: ±0.2