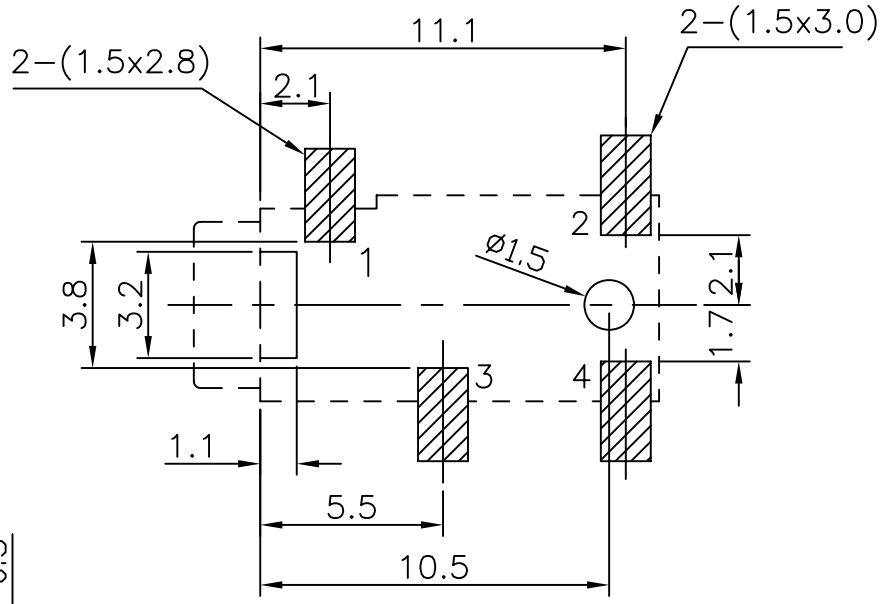
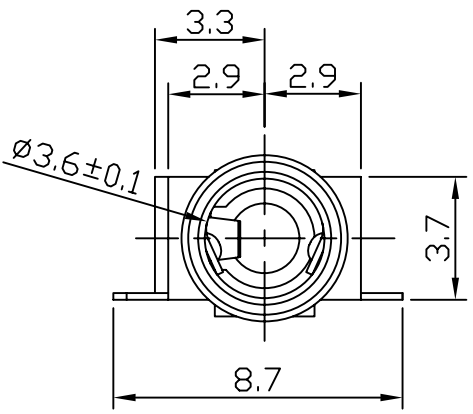
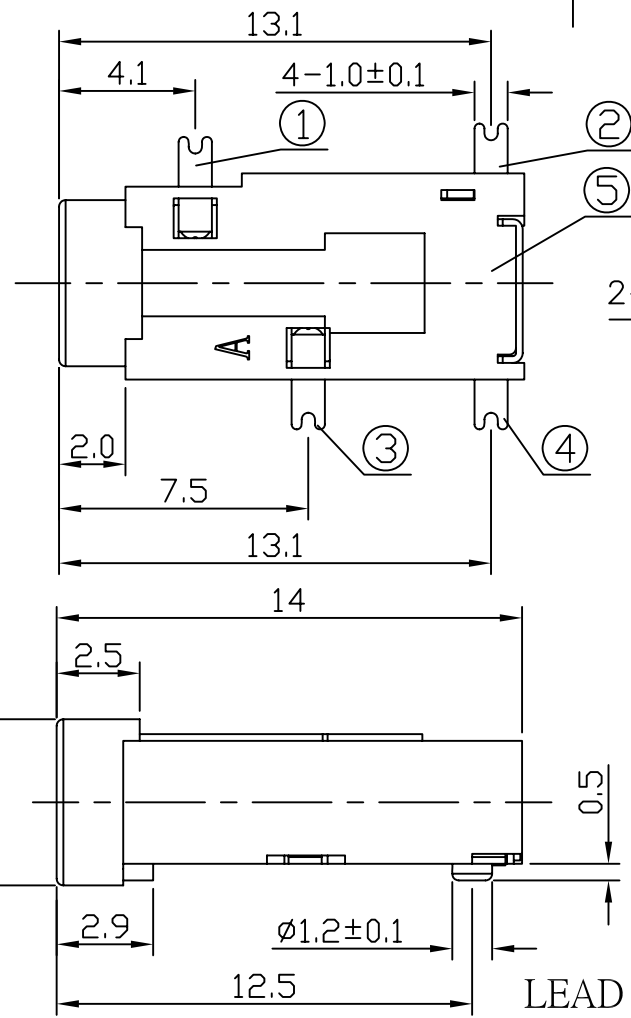
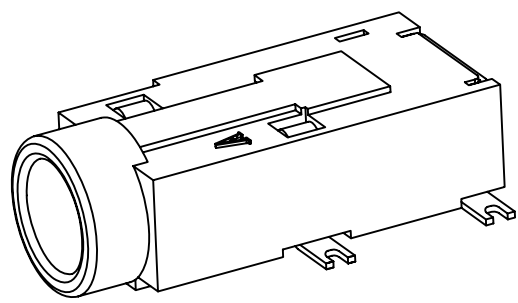
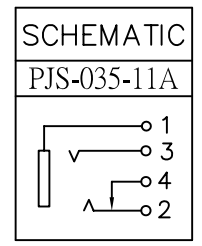


* REVISIONS				
LTR	DESCRIPTION	DATE	REVISED	APPROVED



T:1.6 Dimensions of PC board holes  
Tolerance : ±0.05(Printed-top view)



LEAD FREE

5	HOUSING	1	PA9T	UL-94V0(BLACK)
4	TERMINAL	1	C2680 t=0.20	Ag PLATED
3	TERMINAL	1	C5191 t=0.20	Ag PLATED
2	TERMINAL	1	C5191 t=0.25	Ag PLATED
1	TERMINAL	1	C5191 t=0.20	Ag PLATED
LTR	PART NAME	QTY	MATERIAL	REMARK

DWN	LILY	DATE	2013.08.27	3RD ANGLE PROJECTION	NAME MINIATURE JACK
CHKD	ANDY	DATE	2013.08.27		
APVD	JON	DATE	2013.08.27		UNIT: mm

UNLESS OTHERWISE SPECIFIED, TOLERANCE ON DECIMAL: ±0.2

JKCR Electronics Co., Ltd.

DWN.NO.  
A-035-11 001