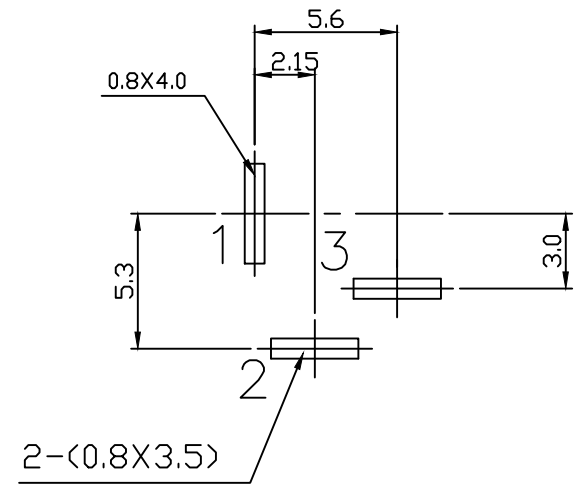
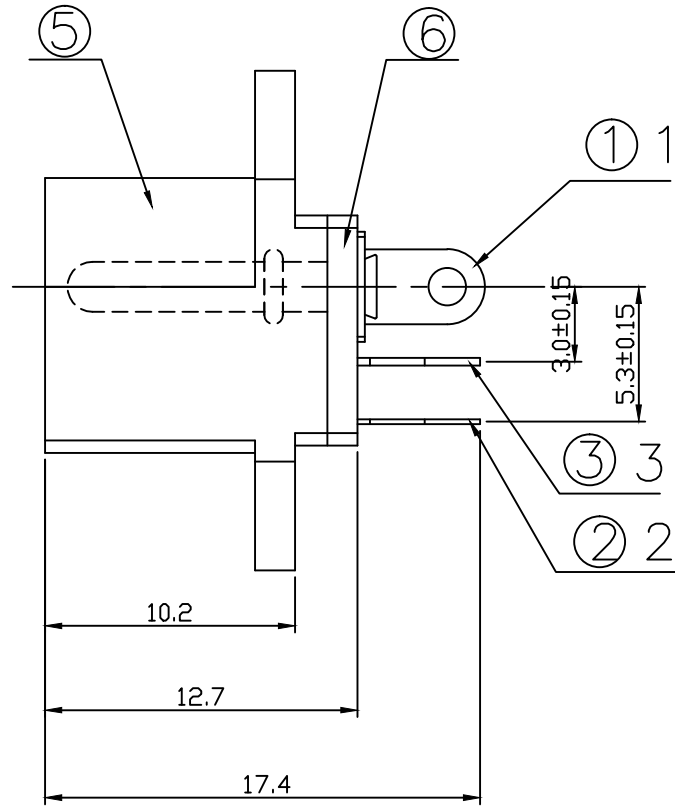
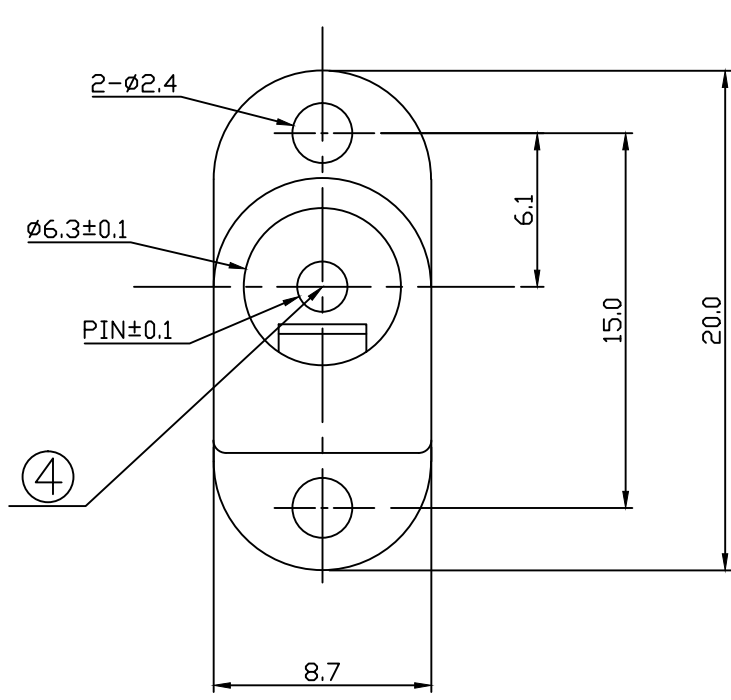
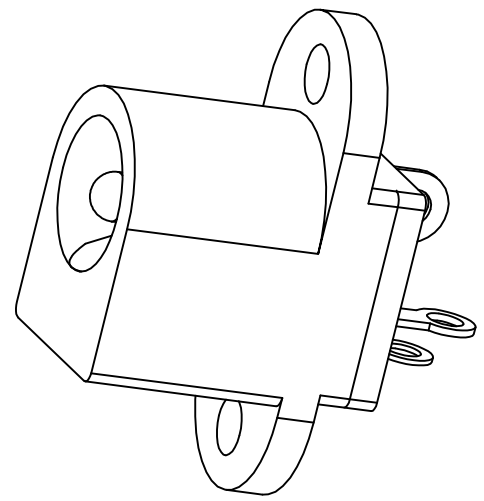


\* RoHS COMPLIANT \*

* REVISIONS				
LTR	DESCRIPTION	DATE	REVISED	APPROVED



T:1.6 Dimensions of PC board holes  
Tolerance : ±0.05 Printed-top view)



CAT. NO.	PIN	SCHEMATIC
DCD-020-10A	ø2.0	
DCD-020-10B	ø2.5	

UNLESS OTHERWISE SPECIFIED, TOLERANCE ON DECIMAL: ±0.3

6	COVER	1	PF	
5	HOUSING	1	PBT	BLACK
4	PIN	1	H59(COPPER ALLOY)	Cu/Sn PLATED
3	TERMINAL	1	C2680 t=0.3	Sn PLATED
2	TERMINAL	1	SUS 301 t=0.2	Sn PLATED
1	TERMINAL	1	C2680 t=0.3	Sn PLATED
LTR	PART NAME	QTY	MATERIAL	REMARK
DWN	LILY	DATE	2018.08.14	3RD ANGLE PROJECTION NAME DC POWER JACK CAT. NO. DCD-020-10 DWN.NO. A-020-10
CHKD	ANDY	DATE	2018.08.14	
APVD	JON	DATE	2018.08.14	
JKCR Electronics Co., Ltd.				001