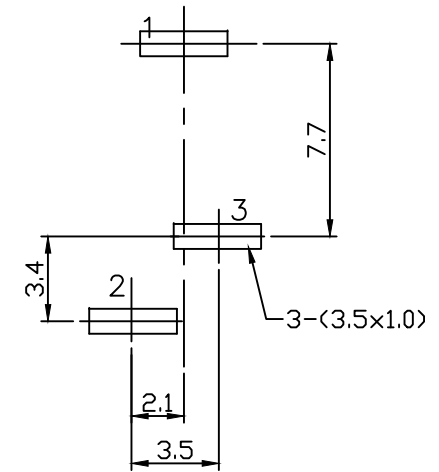
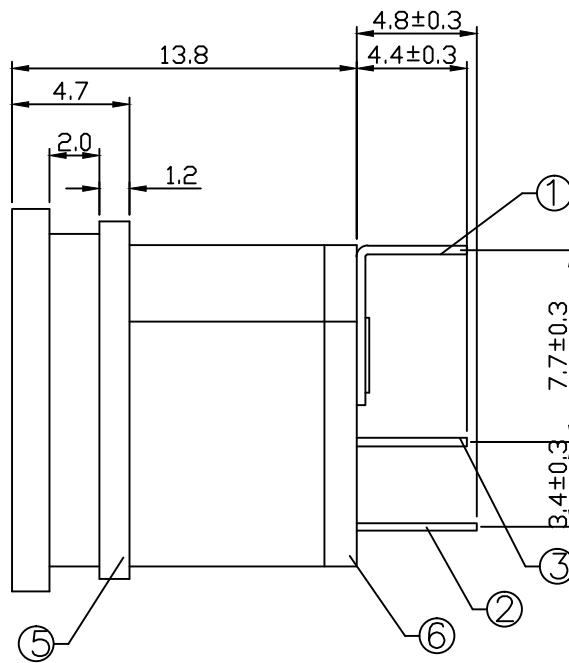
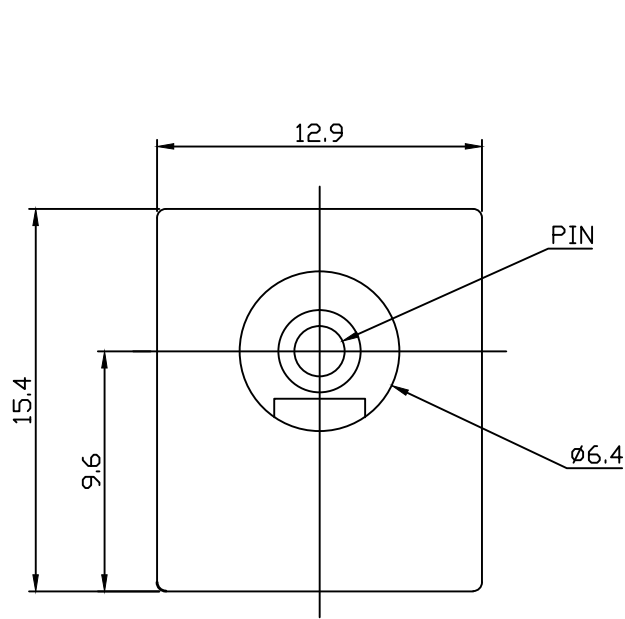


* RoHS COMPLIANT *

* REVISIONS				
LTR	DESCRIPTION	DATE	REVISED	APPROVED



T:1.6 Dimensions of PC board holes
Tolerance : ± 0.05 (Printed-top view)

SCHEMATIC		
DCD-020-07A	$\phi 2.0$	
DCD-020-07B	$\phi 2.5$	

UNLESS OTHERWISE SPECIFIED, TOLERANCE ON DECIMAL: ± 0.3

6	COVER	1	PF	
5	HOUSING	1	PBT 4815	UL-94V0 (BLACK)
4	CENTER PIN	1	H59(COPPER ALLOY)	Sn PLATED
3	SHUNT TERMINL	1	C2680	Ag PLATED
2	TIP SPRING	1	C5191	Ag PLATED
1	CENTER PIN TERMINAL	1	C2680	Ag PLATED
LTR	PART NAME	QTY	MATERIAL	REMARK
DWN	LILY	DATE	2015.07.20	3RD ANGLE PROJECTION NAME DC POWER JACK CAT. NO. DCD-020-07 DWN.NO. A-020-07
CHKD	ANDY	DATE	2015.07.20	
APVD	JON	DATE	2015.07.20	
JKCR Electronics Co., Ltd.				002