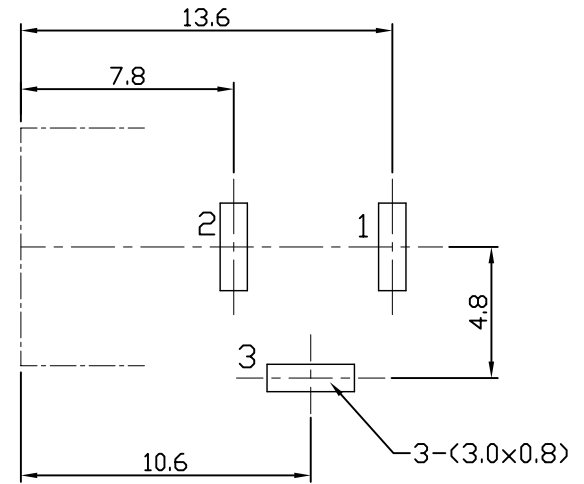
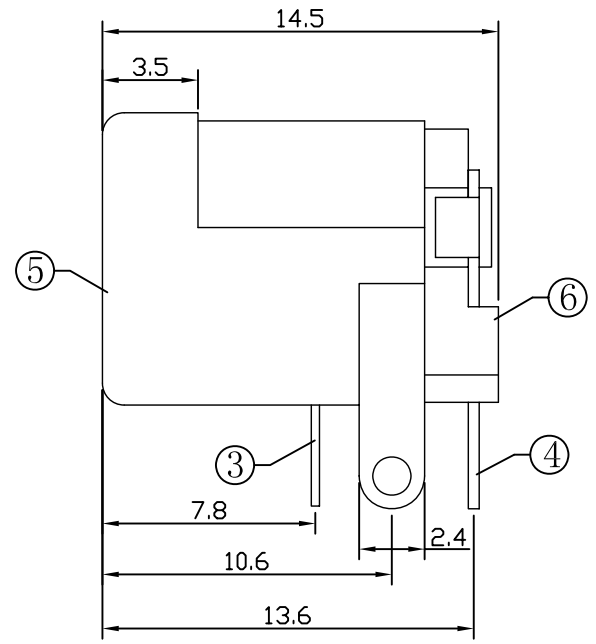
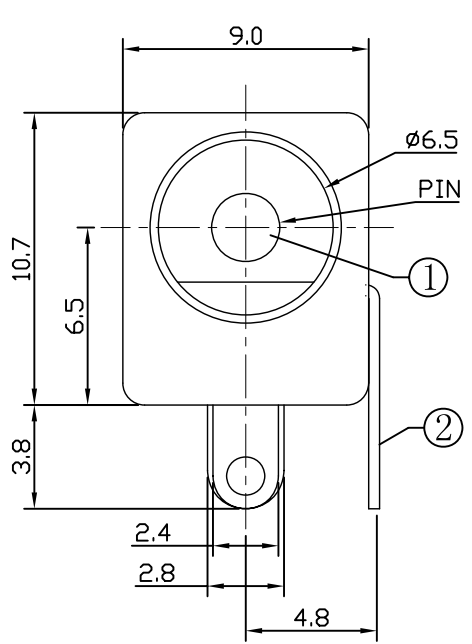


* REVISIONS				
LTR	DESCRIPTION	DATE	REVISED	APPROVED



T:1.6 Dimensions of PC board holes  
Tolerance : ±0.05(Printed-top view)

CAT. NO.	PIN	SCHEMATIC
DCD-020-04PB	φ2.5	

### LEAD FREE

6	COVER	1	PBT 4815	UL-94V0(BLACK)
5	HOUSING	1	PBT 4815	UL-94V0(BLACK)
4	FLAT PIECE	1	C2680 t=0.4	Sn PLATED
3	SPRING	1	C5191 t=0.3	Sn PLATED
2	CURVE PIECE	1	C2680 t=0.4	Sn PLATED
1	PIN	1	H59(COPPER ALLOY)	Ni PLATED

LTR	PART NAME		QTY	MATERIAL	REMARK
DWN	LILY	DATE	2014.04.09	3RD ANGLE PROJECTION	NAME DC POWER JACK
CHKD	ANDY	DATE	2014.04.09		CAT. NO. DCD-020-04PB
APVD	JON	DATE	2014.04.09		UNIT: mm
JKCR Electronics Co., Ltd.					DWN.NO. A-020-04 001

UNLESS OTHERWISE SPECIFIED, TOLERANCE ON DECIMAL: ±0.3