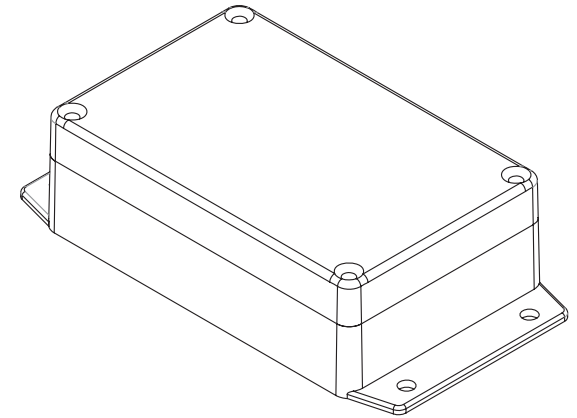
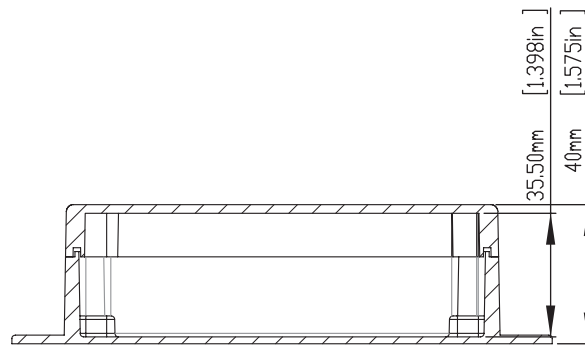
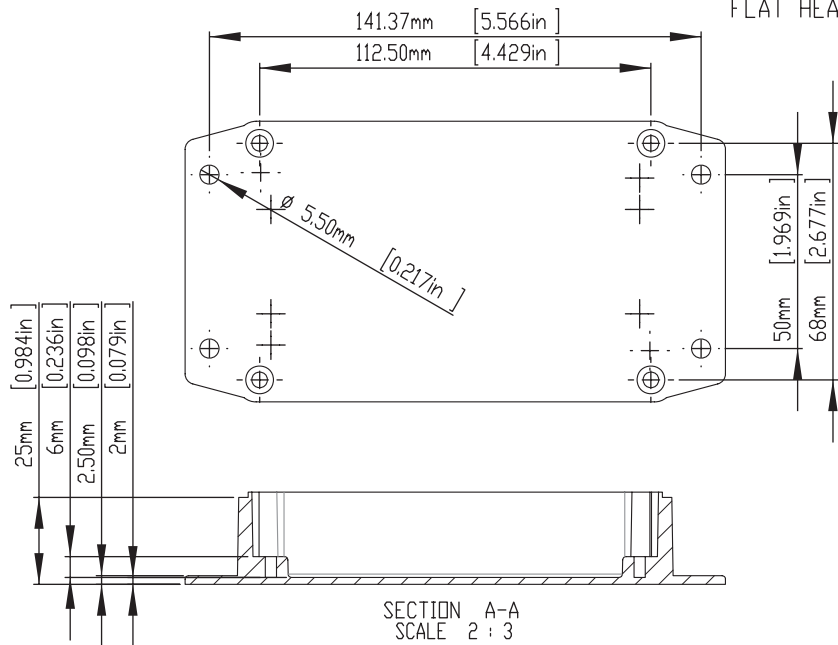
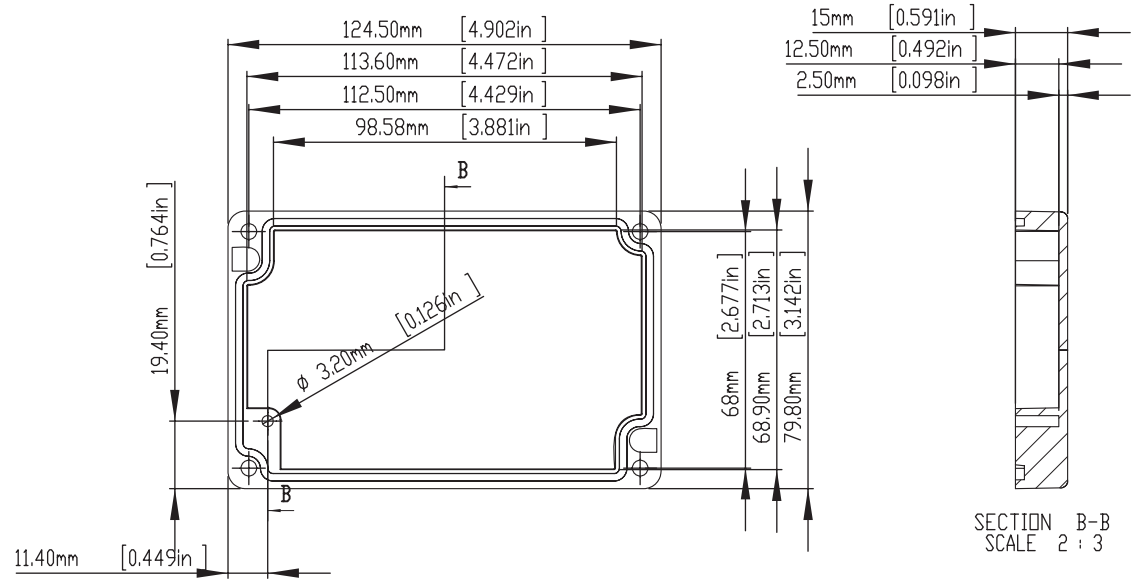


FOUR (4) M4X25 mm
FLAT HEAD SCREWS



According to ISO 2768-m

Measuring DIM=L	Tolerances
0.5<L≤3.0mm	±0.1mm
3.0<L≤6.0 mm	±0.1mm
6.0<L≤30.0 mm	±0.2mm
30.0<L≤120.0 mm	±0.3mm
120.0<L≤400.0 mm	±0.5mm
400.0<L≤1000.0 mm	±0.8mm

宣又實業有限公司
GAINTA INDUSTRIES LTD.

繪圖 DRA'D BY
JACKY

日期 DATE
2013/04/01

材質 MATE.
ALUMINIUM ALLOY ADC-12

圖名TITLE:
G107MF

圖號DWG NO:

版次REVISID:
A